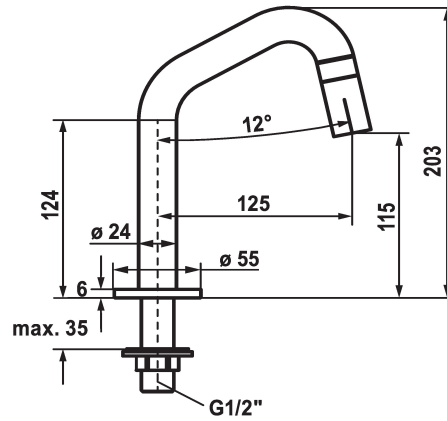


KWC STANDVENTIL Vertical shut-off valve

Modell-Linie: STANDVENTIL | 25.001.011.700
Hanat | Käsi käyttöiset hanat



KWC-No.

125328
stainless steel, A 125, G 1/2"

125329
industrial black, A 125, G 1/2"

- * Vertical shut-off valve
- * Operating handle integrated into the spout
- * Fixed spout
- Neoperl® Caché®

ATT-KWC-FARBCODE

stainless steel

industrial black

- * Ceramic disc valve 1/2" 90°
- * Connecting thread 1/2"
- * Mounting hole size ø22mm or ø35mm

Tekniset tiedot

A_Spout_Spray

Connection

Handling

ATT-KWC-FARBCODE

Installation_type

Faucet_typ

ATT-KWC-BAUFORM

Measure_Height

G_Acoustic group

Projection_A

EnergyLabelCH

IviCode

5 l/min (3 bar)

G1/2"

frontbedient

stainless steel

Standmontage

Standventil

J-Spout

203

I

A125

A

0



Varaosat





KWC STANDVENTIL
Vertical shut-off valve

Modell-Linie: STANDVENTIL | 25.001.011.700
Hanat | Käsi­käyt­toiset hanat

**Service key Neoperl © Caché ©, JR, 21
mm, red**

639017
Z.635.215
