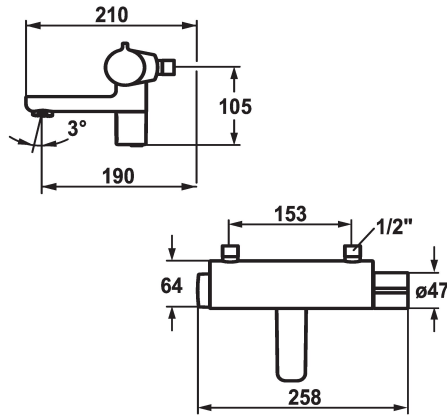


## KWC IQUA

Thermostatic mixer - Automatic, non-contact - Basin

Modell-Linie: IQUA | 11.692.083.000OR

Valves | Thermostatic mixing valve



### KWC-No.

**125261**  
chromeline, AD 153, A 200, battery

**125323**  
chromeline, AD 153, A 200, without wall connections, battery

- \* Automatic controled design
- \* Infrared sensor thermostatico W35
- \* SkinProtect - Safety stop prevents scalding
- \* Microprocessor-control
- flow time adjustable (1 second factory setting)
- short time off (cleaning) activatable
- continuous water flow (filling) activatable
- sensor sensitivity adjustable permanent, automatic self-calibration
- 12- or 24-hour-hygiene flushing activatable

- \* Fixed spout
- Neoperl® Cascade®
- \* Electrovalve
- \* Scope of delivery:
- Battery 6 V Lithium CRP2
- lifespan at 100 circuits/day: 4 years
- 3 Avoid using infrared controls near highly reflective surfaces (e.g. mirrors, polished stainless steel basins) as this could cause them to activate accidentally or malfunction.

### Technical Data

|                        |                        |
|------------------------|------------------------|
| Flow rate              | 6 l/min (3 bar)        |
| Electronical control   | Non-contact thermostat |
| Connection             | without connections    |
| Spout                  | fixed                  |
| Power supply           | battery                |
| Color code             | chromeline             |
| Installation type      | Wall mounted           |
| Faucet_typ             | Electronic             |
| Dimension Height       | 60                     |
| Acoustic group         | I                      |
| Projection A           | A 200                  |
| Energy label           | B                      |
| Connection measure     | 153                    |
| Dimension Water outlet | 70                     |
| material               | Brass                  |

