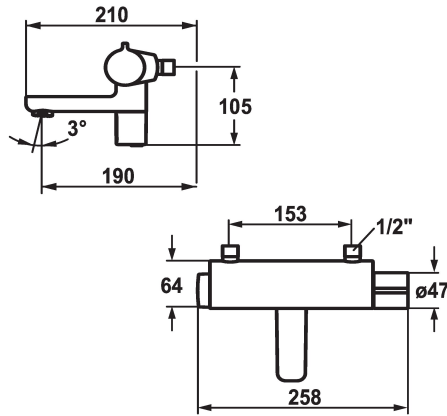


KWC IQUA

Thermostatic mixer - Automatic, non-contact - Basin

Modell-Linie: IQUA | 11.692.083.000OR

Valves | Thermostatic mixing valve



KWC-No.

125261

chromeline, AD 153, A 200, battery

125323

chromeline, AD 153, A 200, without wall connections, battery

- * Automatic controled design
- * Infrared sensor thermostatico W35
- * SkinProtect - Safety stop prevents scalding
- * Microprocessor-control
- flow time adjustable (1 second factory setting)
- short time off (cleaning) activatable
- continuous water flow (filling) activatable
- sensor sensitivity adjustable permanent, automatic self-calibration
- 12- or 24-hour-hygiene flushing activatable

- * Fixed spout
- Neoperl® Cascade®
- * Electrovalve
- * Scope of delivery:
- Battery 6 V Lithium CRP2
- lifespan at 100 circuits/day: 4 years
- 3 Avoid using infrared controls near highly reflective surfaces (e.g. mirrors, polished stainless steel basins) as this could cause them to activate accidentally or malfunction.

Technical Data

Flow rate	6 l/min (3 bar)
Electronical_control	Non-contact thermostat
Connection	without connections
Spout	fixed
Power_supply	battery
Color_code	chrome
Installation_type	Wall mounted
Faucet_typ	Electronic
Dimension Height	60
G_Acoustic_group	I
Projection_A	A 200
Energy Label	B
Connection measure	153
Dimension Water outlet	70
material	Brass

