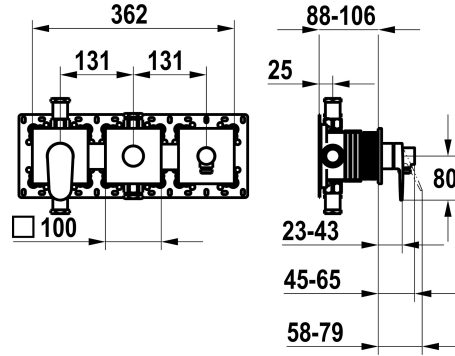


KWC ELLA

Trim kit, with safety device DIN EN 1717 – Lever mixer – Tub

Modell-Linie: ELLA | 20.384.550.000

Showers | Exposed bath mixer



KWC-No.

125296

chromeline, trim kit, with safety device DIN EN 1717

* Trim kit with function unit KWC HOMEBOX

* Outflow

- with integrated hose connection

- above or below for the second consumer with CHOICE diverter without automatic reset

* KWC cartridge M 35-S HF

- with ceramic discs

- flow rate and temperature continuously variable

* Scope of delivery:

- Lever mixer unit

- Diverter unit

- Hose connection unit

- Fastening of the cover plate without screws

* To be ordered separately:

- Unit for concealed installation KWC HOMEBOX Thermostatic/ lever mixer 2 consumers 39.006.261.931

NEW

Technical Data

Flow rate
Spray outlet: Flow rate
Diameter
Handling
Color code
Installation_type
Faucet_typ
G_Acoustic group
Concealed_unit
G_Acoustic group_Shower_outlet
Energy Label
material

19.2 l/min (3bar)
15.2 l/min (3bar)
362 x 100
front lever
chrome
Wall mounted
Lever mixer
II
Trim kit, with vacuum breaker
I
C
Brass



Spare Parts





KWC ELLA

Trim kit, with safety device DIN EN 1717 – Lever mixer – Tub

Modell-Linie: ELLA | 20.384.550.000
Showers | Exposed bath mixer

Cartridge M 35-S HF

537602
Z.537.602
