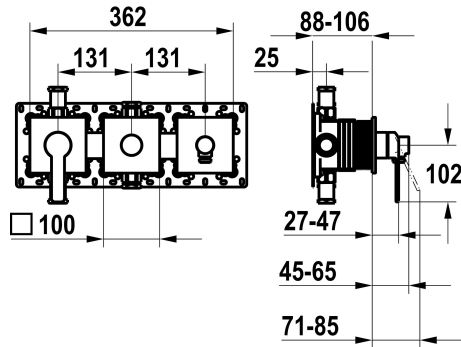


## KWC DOMO 6.0

Trim kit, with safety device DIN EN 1717 – Lever mixer – Tub

Modell-Linie: DOMO 6.0 | 20.664.550.000

Showers | Exposed bath mixer



### KWC-No.

**125294**

chromeline, trim kit, with safety device DIN EN 1717

\* Trim kit with function unit KWC HOMEBOX

\* Outflow

- with integrated hose connection

- above or below for the second consumer with CHOICE diverter without automatic reset

\* KWC cartridge M 35-S HF

- with ceramic discs

- flow rate and temperature continuously variable

\* Scope of delivery:

- Lever mixer unit

- Diverter unit

- Hose connection unit

- Fastening of the cover plate without screws

\* To be ordered separately:

- Unit for concealed installation KWC HOMEBOX Thermostatic/ lever mixer 2 consumers 39.006.261.931

NEW

### Technical Data

Flow rate
Spray outlet: Flow rate
Diameter
Handling
Color code
Installation type
Faucet_typ
Acoustic group
Concealed unit
Spray outlet: Acoustic group
Energy label
material

19.2 l/min (3bar)
15.2 l/min (3bar)
362 x 100
front lever
chromeline
Wall mounted
Lever mixer
II
Trim kit, with vacuum breaker
I
C
Brass

