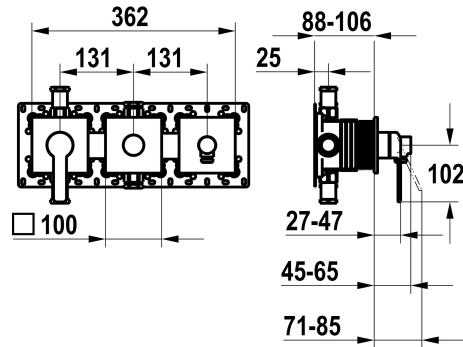


KWC DOMO 6.0

Trim kit, with safety device DIN EN 1717 – Lever mixer – Tub

Modell-Linie: DOMO 6.0 | 20.664.550.000

Showers | Exposed bath mixer



KWC-No.

125294

chromeline, trim kit, with safety device DIN EN 1717

* Trim kit with function unit KWC HOMEBOX

* Outflow

- with integrated hose connection

- above or below for the second consumer with CHOICE diverter without automatic reset

* KWC cartridge M 35-S HF

- with ceramic discs

- flow rate and temperature continuously variable

* Scope of delivery:

- Lever mixer unit

- Diverter unit

- Hose connection unit

- Fastening of the cover plate without screws

* To be ordered separately:

- Unit for concealed installation KWC HOMEBOX Thermostatic/ lever mixer 2 consumers 39.006.261.931

NEW

Technical Data

| |
|--------------------------------|
| Flow rate |
| Spray outlet: Flow rate |
| Diameter |
| Handling |
| Color code |
| Installation_type |
| Faucet_typ |
| G_Acoustic group |
| Concealed_unit |
| G_Acoustic group_Shower_outlet |
| Energy Label |
| material |

| |
|-------------------------------|
| 19.2 l/min (3bar) |
| 15.2 l/min (3bar) |
| 362 x 100 |
| front lever |
| chrome |
| Wall mounted |
| Lever mixer |
| II |
| Trim kit, with vacuum breaker |
| I |
| C |
| Brass |

