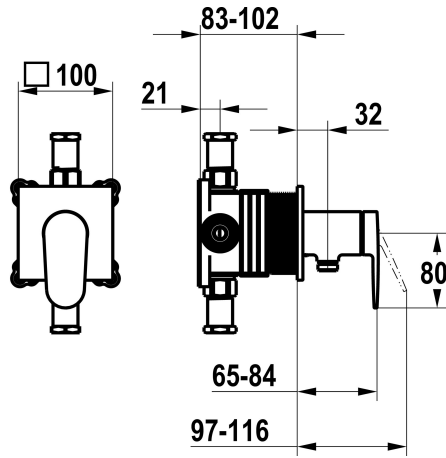


KWC ELLA

Trim kit, with safety device DIN EN 1717 – Lever mixer – Shower

Modell-Linie: ELLA | 21.384.550.000

Showers | Manual shower



KWC-No.

125292

chromeline, trim kit, with safety device DIN EN 1717

NEW

- * Trim kit with function unit KWC HOMEBOX
- * Outflow
 - with integrated hose connection
- * KWC cartridge M 35-S HF
 - with ceramic discs
 - flow rate and temperature continuously variable

- * Scope of delivery:
 - Lever mixer unit - with integrated hose connection
 - Fastening of the cover plate without screws
- * To be ordered separately:
 - Unit for concealed installation KWC HOMEBOX Lever mixer 1 Consumers 39.006.251.931

Technical Data

Flow rate
Diameter
Handling
Color code
Installation_type
Faucet_typ
G_Acoustic group
Concealed_unit
Energy Label
material

16 l/min (3bar)
100 x 100
front lever
chrome
Wall mounted
Lever mixer
I
Trim kit, with vacuum breaker
C
Brass



Spare Parts



Cartridge M 35-S HF

537602



KWC ELLA

Trim kit, with safety device DIN EN 1717 – Lever mixer – Shower

Modell-Linie: ELLA | 21.384.550.000

Showers | Manual shower

Z.537.602
