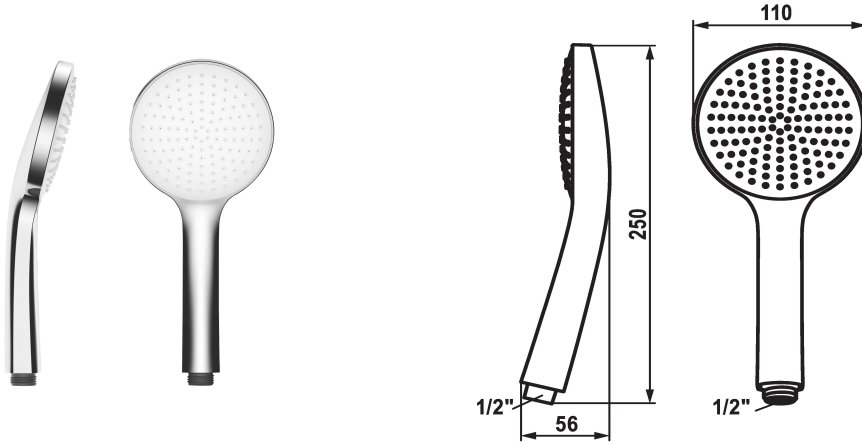


## KWC FIT-E Hand shower eco

Modell-Linie: FIT-E | 26.000.131.000  
Suihkut ja suihkupaneelit | Suihkut ja suihkupaneelit



### KWC-No.

**125281**  
chromeline

### ATT-KWC-FARBCODE

chromeline

\* Hand shower KWC FIT -E eco  
\* TouchProtect - anti-scald protection thanks to the "double skin" principle

\* Cleaning-friendly faceplate  
\* Connecting thread 1/2"

### Tekniset tiedot

A\_Spout\_Spray

Connection

ATT-KWC-FARBCODE

Faucet\_typ

ATT-KWC-STRAHLART

G\_Acoustic group

EnergyLabelCH

Materiaali

IviCode

6 l/min (3 bar)

G1/2"

chromeline

Handbrause

ecoJet

I

A

KUNSTSTOFF

0

