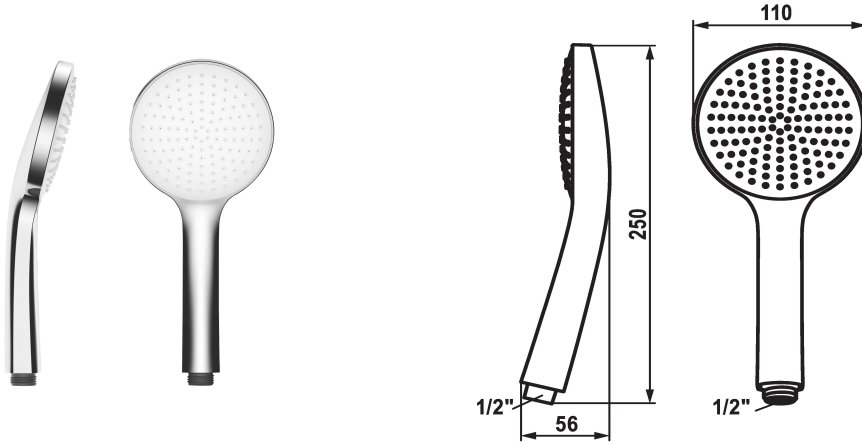


## KWC FIT-E Hand shower eco

Modell-Linie: FIT-E | 26.000.131.000  
Showers | Hand showers



### KWC-No.

**125281**  
chromeline

**360007766**  
matt black

**360007767**  
brushed steel

### Color code

chrome

matt black

brushed steel

\* Hand shower KWC FIT -E eco  
\* TouchProtect - anti-scald protection thanks to the "double skin" principle

\* Cleaning-friendly faceplate  
\* Connecting thread 1/2"

### Technical Data

Flow rate

6 l/min (3 bar)

Connection

G 1/2"

Color code

chrome

Faucet\_typ

Hand shower

Spray\_type

ecojet

G\_Acoustic group

I

Energy Label

A

material

Plastic

