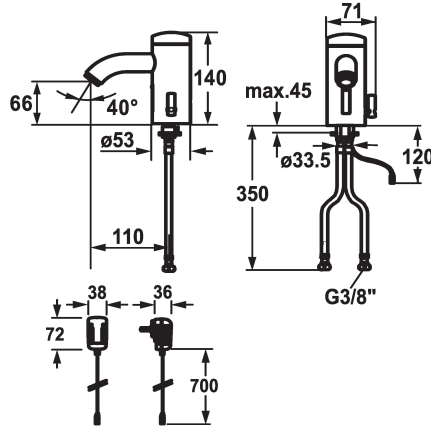


KWC IQUA

Automatic, non-contact - Basin

Modell-Linie: IQUA | 12.696.091.000

Hanot | Itsulkeutuvat hanot



KWC-No.

125279

chromeline, A 115, flexible connection hose, without pop-up valve, battery, Basic, with mixing

125280

chromeline, A 115, flexible connection hose, without pop-up valve, mains receiver, Basic, with mixing

- * Automatic controled style
- * Infrared sensor L10
- * With mixing
- temperature limiter adjustable
- * EcoProtect - water-saving device
- * Basic: counter-sunk iqua-click
- * Microprocessor-control
- flow time adjustable (1 second factory setting)
- short time off (cleaning) activatable
- continuous water flow (filling) activatable
- sensor sensitivity adjustable permanent, automatic self-calibration

Tekniset tiedot

A_Spout_Spray

ATT-KWC-ABLAUFGARNITUR

ATT-KWC-EL_STEUERUNG

Connection

Spout

ATT-KWC-IQUA_CLICK

ATT-KWC-STROMVERSORGUNG

ATT-KWC-FARBCODE

Installation_type

Faucet_typ

Measure_Height

G_Acoustic group

Projection_A

EnergyLabelCH

ATT-KWC-MASS-WASSERAUSTRITT

Materiali

IviCode

ATT-KWC-STROMVERSORGUNG

Batterie

Netz AP

- 12- or 24-hour-hygiene flushing activatable
- * Fixed spout
- Neoperl® Cascade®
- * Electrovalve
- * Flexible connection hoses 3/8"
- * Fastening by means of stud bolt M8 x 1
- * Mounting hole size ø35 mm
- * Scope of delivery:
 - Mains receiver 100-240 V / operating voltage 6 V
 - 3 Avoid using infrared controls near highly reflective surfaces (e.g. mirrors, polished stainless steel basins) as this could cause them to activate accidentally or malfunction.

6 l/min (3 bar)

ohne_Ablaufgarnitur

berührungslos

Flexibler_Anschluss Schlauch

Kiinnitetty

Basic, mit Mischung

Netz AP

chromeline

Standmontage

Elektronik

140

I

A110

A

66

Messinki

0

