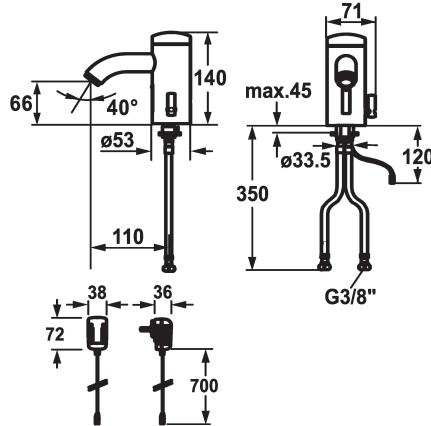


KWC IQUA

Automatic, non-contact - Basin

Modell-Linie: IQUA | 12.696.081.000

Hanot | Itsulkeutuvat hanot



KWC-No.

125279

chromeline, A 115, flexible connection hose, without pop-up valve, battery, Basic, with mixing

125280

chromeline, A 115, flexible connection hose, without pop-up valve, mains receiver, Basic, with mixing

- * Automatic controled style
- * Infrared sensor L10
- * With mixing
- temperature limiter adjustable
- * EcoProtect - water-saving device
- * Basic: counter-sunk iqua-click
- * Microprocessor-control
- flow time adjustable (1 second factory setting)
- short time off (cleaning) activatable
- continuous water flow (filling) activatable
- sensor sensitivity adjustable permanent, automatic self-calibration
- 12- or 24-hour-hygiene flushing activatable

Tekniset tiedot

A_Spout_Spray
ATT-KWC-ABLAUFGARNITUR
ATT-KWC-EL-STEUERUNG
Connection
Spout
ATT-KWC-IQUA_CLICK
ATT-KWC-STROMVERSORGUNG
ATT-KWC-FARBCODE
Installation_type
Faucet_typ
Measure_Height
G_Acoustic_group
Projection_A
EnergyLabelCH
ATT-KWC-MASS-WASSERAUSTRITT
Materiali
IviCode

ATT-KWC-STROMVERSORGUNG

Batterie

Netz AP

- * Fixed spout
- Neoperl® Cascade®
- * Electrovalve
- * Flexible connection hoses 3/8"
- * Fastening by means of stud bolt M8 x 1
- * Mounting hole size ø35 mm
- * Scope of delivery:
- Battery 6 V Lithium CRP2
- lifespan at 100 circuits/day; 4 years
- 3 Avoid using infrared controls near highly reflective surfaces (e.g. mirrors, polished stainless steel basins) as this could cause them to activate accidentally or malfunction.

6 l/min (3 bar)
ohne_Ablaufgarnitur
berührungslos
Flexibler_Anschluss Schlauch
Kiinnitety
Basic, mit Mischung
Batterie
chromeline
Standmontage
Elektronik
140
I
A110
A
66
Messinki
0

