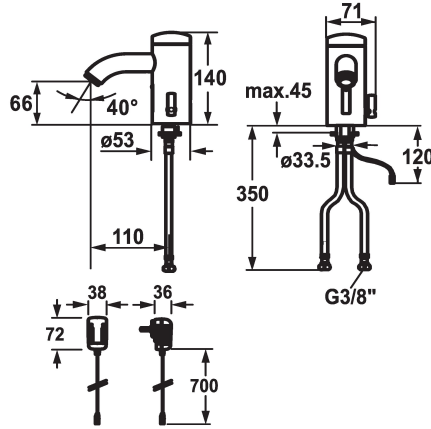


KWC IQUA

Automatic, non-contact - Basin

Modell-Linie: IQUA | 12.696.081.000

Taps | Self closing taps



KWC-No.

125279

chromeline, A 115, flexible connection hose, without pop-up valve, battery, Basic, with mixing

125280

chromeline, A 115, flexible connection hose, without pop-up valve, mains receiver, Basic, with mixing

- * Automatic controled style
- * Infrared sensor L10
- * With mixing
 - temperature limiter adjustable
- * EcoProtect - water-saving device
- * Basic: counter-sunk iqua-click
- * Microprocessor-control
 - flow time adjustable (1 second factory setting)
 - short time off (cleaning) activatable
 - continuous water flow (filling) activatable
 - sensor sensitivity adjustable permanent, automatic self-calibration
 - 12- or 24-hour-hygiene flushing activatable

Power supply

battery

mains receiver

- * Fixed spout
 - Neoperl® Cascade®
- * Electrovalve
- * Flexible connection hoses 3/8"
- * Fastening by means of stud bolt M8 x 1
- * Mounting hole size ø35 mm
- * Scope of delivery:
 - Battery 6 V Lithium CRP2
 - lifespan at 100 circuits/day: 4 years
- 3 Avoid using infrared controls near highly reflective surfaces (e.g. mirrors, polished stainless steel basins) as this could cause them to activate accidentally or malfunction.

Technical Data

| |
|------------------------|
| Flow rate |
| pop-up valve |
| Electronical control |
| Connection |
| Spout |
| IQUA-Click |
| Power supply |
| Color code |
| Installation type |
| Faucet_typ |
| Measure Height |
| Acoustic group |
| Projection A |
| Energy label |
| Dimension Water outlet |
| material |

| |
|--------------------------|
| 6 l/min (3 bar) |
| without pop-up valve |
| Automatic, non-contact |
| Flexible connection hose |
| fixed |
| Basic, with mixing |
| battery |
| chromeline |
| Pillar installation |
| Electronic |
| 140 |
| I |
| A 110 |
| A |
| 66 |
| Brass |

