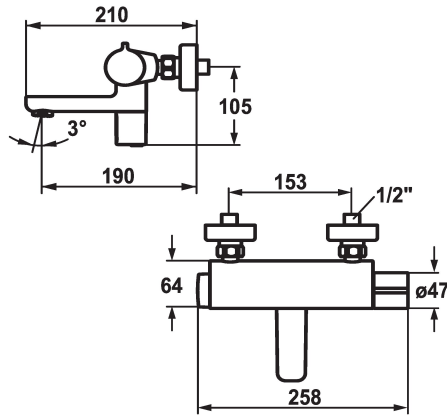
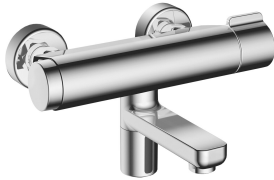


KWC IQUA

Thermostatic mixer - Automatic, non-contact - Basin

Modell-Linie: IQUA | 11.692.083.000

Valves | Thermostatic mixing valve



KWC-No.

125261

chromeline, AD 153, A 200, battery

125323

chromeline, AD 153, A 200, without wall connections, battery

- * Automatic controled design
- * Infrared sensor thermostatico W35
- * SkinProtect - Safety stop prevents scalding
- * Microprocessor-control
- flow time adjustable (1 second factory setting)
- short time off (cleaning) activatable
- continuous water flow (filling) activatable
- sensor sensitivity adjustable permanent, automatic self-calibration
- 12- or 24-hour-hygiene flushing activatable

- * Fixed spout
- Neoperl® Cascade®
- * Electrovalve
- * Wall connections 1/2" x 1/2", with shut-off valve L 40
- * Scope of delivery:
- Battery 6 V Lithium CRP2
- lifespan at 100 circuits/day; 4 years
- 3 Avoid using infrared controls near highly reflective surfaces (e.g. mirrors, polished stainless steel basins) as this could cause them to activate accidentally or malfunction.

Technical Data

Flow rate
Electronical control
Spout
Power supply
Color code
Installation type
Faucet_typ
Measure Height
Acoustic group
Projection A
Energy label
Connection measure
Dimension Water outlet
material

6 l/min (3 bar)
Non-contact thermostat
fixed
battery
chromeline
Wall mounted
Electronic
60
I
A 200
B
153
70
Brass

