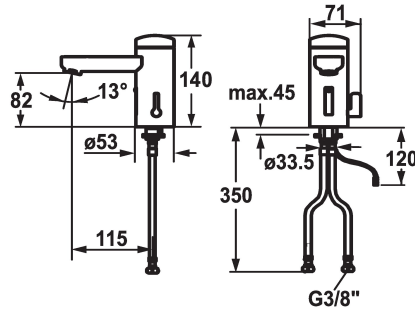


KWC IQUA

Automatic, non-contact - Basin

Modell-Linie: IQUA | 12.696.061.000

Kranar | Samouzavírací armatury



KWC-No.

125259

chromeline, A 115, flexible connection hose, without pop-up valve, battery, Basic, with mixing

125260

chromeline, A 115, flexible connection hose, without pop-up valve, mains receiver, Basic, with mixing

- * Automatic controled design
- * Infrared sensor L10
- * With mixing
 - temperature limiter adjustable
- * EcoProtect - water-saving device
- * Basic: counter-sunk iqua-click
- * Microprocessor-control
 - flow time adjustable (1 second factory setting)
 - short time off (cleaning) activatable
 - continuous water flow (filling) activatable
 - sensor sensitivity adjustable permanent, automatic self-calibration
 - 12- or 24-hour-hygiene flushing activatable

Technical Data

A_Spout_Spray

ATT-KWC-ABLAUFGARNITUR

ATT-KWC-EL_STEUERUNG

Connection

ATT-KWC-AUSLAUF

ATT-KWC-IQUA_CLICK

ATT-KWC-STROMVERSORGUNG

ATT-KWC-FARBCODE

Installation_type

Faucet_typ

Measure_Height

G_Acoustic_group

Projection_A

EnergyLabelCH

ATT-KWC-MASS-WASSERAUSTRITT

Material

ATT-KWC-STROMVERSORGUNG

Batteri

Netz AP

- * Fixed spout
 - Neoperl® Cascade®
- * Electrovalve
- * Flexible connection hoses 3/8"
- * Fastening by means of stud bolt M8 x 1
- * Mounting hole size ø35 mm
- * Scope of delivery:
 - Battery 6 V Lithium CRP2
 - lifespan at 100 circuits/day; 4 years
- 3 Avoid using infrared controls near highly reflective surfaces (e.g. mirrors, polished stainless steel basins) as this could cause them to activate accidentally or malfunction.

6 l/min (3 bar)

ohne_Ablaufgarnitur

berührungslös

Flexibler_Anschluss Schlauch

fest

Basic, mit Mischung

Batteri

chromeline

Standmontage

Elektronik

140

I

A115

A

82

Mässing

