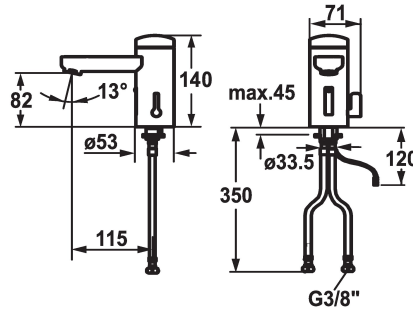


## KWC IQUA

Automatic, non-contact - Basin

Modell-Linie: IQUA | 12.696.061.000

Taps | Self closing taps



### KWC-No.

#### 125259

chromeline, A 115, flexible connection hose, without pop-up valve, battery, Basic, with mixing

#### 125260

chromeline, A 115, flexible connection hose, without pop-up valve, mains receiver, Basic, with mixing

- \* Automatic controled design
- \* Infrared sensor L10
- \* With mixing
  - temperature limiter adjustable
- \* EcoProtect - water-saving device
- \* Basic: counter-sunk iqua-click
- \* Microprocessor-control
  - flow time adjustable (1 second factory setting)
  - short time off (cleaning) activatable
  - continuous water flow (filling) activatable
  - sensor sensitivity adjustable permanent, automatic self-calibration
  - 12- or 24-hour-hygiene flushing activatable

### Power supply

battery

mains receiver

- \* Fixed spout
  - Neoperl® Cascade®
- \* Electrovalve
- \* Flexible connection hoses 3/8"
- \* Fastening by means of stud bolt M8 x 1
- \* Mounting hole size ø35 mm
- \* Scope of delivery:
  - Battery 6 V Lithium CRP2
  - lifespan at 100 circuits/day: 4 years
- 3 Avoid using infrared controls near highly reflective surfaces (e.g. mirrors, polished stainless steel basins) as this could cause them to activate accidentally or malfunction.

### Technical Data

|                        |
|------------------------|
| Flow rate              |
| pop-up valve           |
| Electronical control   |
| Connection             |
| Spout                  |
| IQUA-Click             |
| Power supply           |
| Color code             |
| Installation type      |
| Faucet_typ             |
| Measure Height         |
| Acoustic group         |
| Projection A           |
| Energy label           |
| Dimension Water outlet |
| material               |

|                          |
|--------------------------|
| 6 l/min (3 bar)          |
| without pop-up valve     |
| Automatic, non-contact   |
| Flexible connection hose |
| fixed                    |
| Basic, with mixing       |
| battery                  |
| chromeline               |
| Pillar installation      |
| Electronic               |
| 140                      |
| I                        |
| A 115                    |
| A                        |
| 82                       |
| Brass                    |

