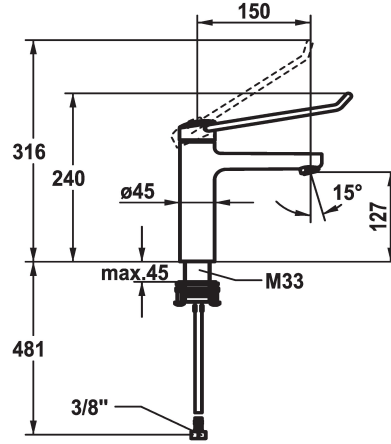


KWC VITA PRO 2.0 Lever mixer - Basin

Modell-Linie: VITA PRO 2.0 | 12.528.052.000LLFL
Taps | Manual taps



KWC-No.

125228
chromeline, A 150, flexible connection hoses, with pop-up valve

125229
chromeline, A 150, flexible connection hoses, without pop-up valve

- * Lever mixer
- * Operation designed for a secure grip, as well as safe and easy handling
- * Ergonomic and robust operating lever, made of polyamide
 - to adjust the handling even better to suit personal requirements, the offset lever can be installed so that it is twisted into the cap (standard: see illustration)
- * EcoProtect - water-saving device
- * Fixed spout
- Neoperl® Perlator® laminar

pop-up assembly

with pop-up valve

without pop-up valve

- * KWC cartridge with safety device M 35 OP
 - with ceramic discs
 - flow rate and temperature continuously variable
 - temperature limitation
 - Reinforced stopper for output volume and temperature (standard setting)
- * Flexible connection hoses 3/8"
- * QuickInstallation - Fastening via threaded connection with locking screws
- * Mounting hole size ø35 mm

Technical Data

| |
|------------------------|
| Flow rate |
| pop-up assembly |
| Connection |
| Spout |
| Handling |
| Color code |
| Installation type |
| Faucet_typ |
| Dimension Height |
| Acoustic group |
| Projection A |
| Energy label |
| Dimension Water outlet |
| material |

| |
|---------------------------|
| 5.8 l/min (3 bar) |
| without pop-up valve |
| Flexible connection hoses |
| fixed |
| top lever |
| chromeline |
| Pillar installation |
| Lever mixer |
| 240 |
| I |
| A 150 |
| A |
| 127 |
| Brass |

