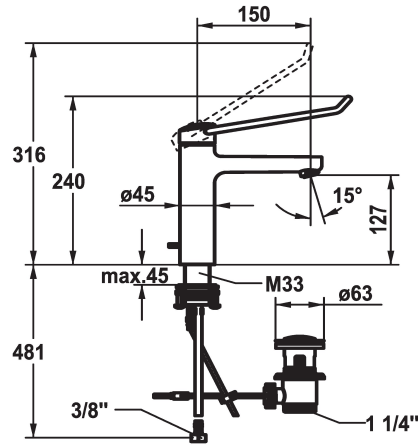


## KWC VITA PRO 2.0 Lever mixer - Basin

Modell-Linie: VITA PRO 2.0 | 12.528.042.000LLFL  
Kranar | Hydraulické armatúry



### KWC-No.

**125228**  
chromeline, A 150, flexible connection hoses, with pop-up valve

**125229**  
chromeline, A 150, flexible connection hoses, without pop-up valve

- \* Lever mixer
- \* Operation designed for a secure grip, as well as safe and easy handling
- \* Ergonomic and robust operating lever, made of polyamide
  - to adjust the handling even better to suit personal requirements, the offset lever can be installed so that it is twisted into the cap (standard: see illustration)
- \* EcoProtect - water-saving device
- \* Fixed spout
  - Neoperl® Perlator® laminar
- \* KWC cartridge with safety device M 35 OP

### ATT-KWC- ABLAUFGARNITUR

mit\_Ablaufgarnitur

ohne\_Ablaufgarnitur

- with ceramic discs
- flow rate and temperature continuously variable
- temperature limitation
- Reinforced stopper for output volume and temperature (standard setting)
- \* Flexible connection hoses 3/8"
- \* QuickInstallation - Fastening via threaded connection with locking screws
- \* Mounting hole size  $\varnothing 35$  mm
- \* Scope of delivery:
  - KWC pop-up valve Z.538.581.000

### Technical Data

A_Spout_Spray
ATT-KWC-ABLAUFGARNITUR
Connection
ATT-KWC-AUSLAUF
Handling
ATT-KWC-FARBCODE
Installation_type
Faucet_typ
Measure_Height
G_Acoustic group
Projection_A
EnergyLabelCH
ATT-KWC-MASS-WASSERAUSTRITT
Material

5,8 l/min (3 bar)
mit_Ablaufgarnitur
Flexible_Anschlusschläuche
fest
topbedient
chromeline
Standmontage
Hebelmischer
240
I
A150
A
127
Mässing

