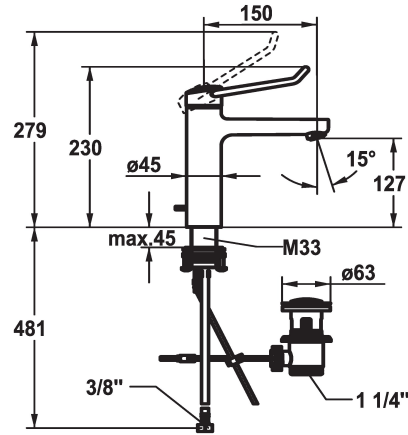


KWC VITA PRO 2.0 Lever mixer - Basin

Modell-Linie: VITA PRO 2.0 | 12.528.042.000FL
Hanat | Käskikäyttöiset hanat



KWC-No.

125226
chromeline, A 150, flexible connection hoses, with pop-up valve

125227
chromeline, A 150, flexible connection hoses, without pop-up valve

- * Lever mixer
- * Operation designed for a secure grip, as well as safe and easy handling
- * Ergonomic and robust operating lever, made of polyamide
 - to adjust the handling even better to suit personal requirements, the offset lever can be installed so that it is twisted into the cap (standard: see illustration)
- * EcoProtect - water-saving device
- * Fixed spout
 - Neoperl® Perlator® laminar
- * KWC cartridge with safety device M 35 OP

ATT-KWC- ABLAUFGARNITUR

mit_Ablaufgarnitur

ohne_Ablaufgarnitur

- with ceramic discs
- flow rate and temperature continuously variable
- temperature limitation
- Reinforced stopper for output volume and temperature (standard setting)
- * Flexible connection hoses 3/8"
- * QuickInstallation - Fastening via threaded connection with locking screws
- * Mounting hole size $\varnothing 35$ mm
- * Scope of delivery:
 - KWC pop-up valve Z.538.581.000

Tekniset tiedot

A_Spout_Spray
ATT-KWC-ABLAUFGARNITUR
Connection
Spout
Handling
ATT-KWC-FARBCODE
Installation_type
Faucet_typ
Measure_Height
G_Acoustic group
Projection_A
EnergyLabelCH
ATT-KWC-MASS-WASSERAUSTRITT
Materiali
lviCode

5,8 l/min (3 bar)
mit_Ablaufgarnitur
Flexible_Anschlusschläuche
Kiinnitetty
topbedient
chromeline
Standmontage
Hebelmischer
230
I
A150
A
127
Messinki
0

