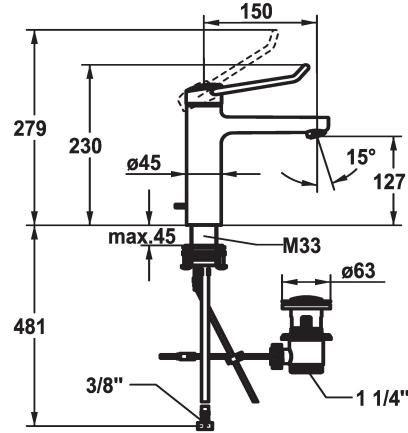


## KWC VITA PRO 2.0 Lever mixer - Basin

Modell-Linie: VITA PRO 2.0 | 12.528.042.000FL  
Taps | Manual taps



### KWC-No.

**125226**  
chromeline, A 150, flexible connection hoses, with pop-up valve

**125227**  
chromeline, A 150, flexible connection hoses, without pop-up valve

- \* Lever mixer
- \* Operation designed for a secure grip, as well as safe and easy handling
- \* Ergonomic and robust operating lever, made of polyamide
- to adjust the handling even better to suit personal requirements, the offset lever can be installed so that it is twisted into the cap (standard: see illustration)
- \* EcoProtect - water-saving device
- \* Fixed spout
- Neoperl® Perlator® laminar
- \* KWC cartridge with safety device M 35 OP

### pop-up valve

with pop-up valve

without pop-up valve

- with ceramic discs
- flow rate and temperature continuously variable
- temperature limitation
- Reinforced stopper for output volume and temperature (standard setting)
- \* Flexible connection hoses 3/8"
- \* QuickInstallation - Fastening via threaded connection with locking screws
- \* Mounting hole size  $\varnothing 35$  mm
- \* Scope of delivery:
- KWC pop-up valve Z.538.581.000

### Technical Data

Flow rate
pop-up valve
Connection
Spout
Handling
Color code
Installation type
Faucet_typ
Measure Height
Acoustic group
Projection A
Energy label
Dimension Water outlet
material

5,8 l/min (3 bar)
with pop-up valve
Flexible connection hoses
fixed
top lever
chromeline
Pillar installation
Lever mixer
230
I
A 150
A
127
Brass

