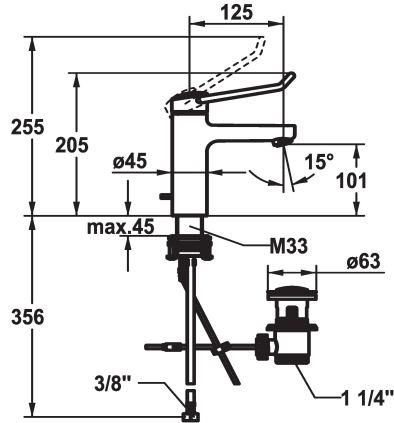


KWC VITA PRO 2.0 Lever mixer - Basin

Modell-Linie: VITA PRO 2.0 | 12.528.041.000FL
Hanat | Käskikäyttöiset hanat



KWC-No.

125224
chromeline, A 125, flexible connection hoses, with pop-up valve

125225
chromeline, A 125, flexible connection hoses, without pop-up valve

- * Lever mixer
- * Operation designed for a secure grip, as well as safe and easy handling
- * Ergonomic and robust operating lever, made of polyamide
- to adjust the handling even better to suit personal requirements, the offset lever can be installed so that it is twisted into the cap (standard: see illustration)
- * EcoProtect - water-saving device
- * Fixed spout
- Neoperl® Perlator® laminar
- * KWC cartridge with safety device M 35 OP

ATT-KWC- ABLAUFGARNITUR

mit_Ablaufgarnitur

ohne_Ablaufgarnitur

- with ceramic discs
- flow rate and temperature continuously variable
- temperature limitation
- Reinforced stopper for output volume and temperature (standard setting)
- * Flexible connection hoses 3/8"
- * QuickInstallation - Fastening via threaded connection with locking screws
- * Mounting hole size $\varnothing 35$ mm
- * Scope of delivery:
- KWC pop-up valve Z.538.581.000

Tekniset tiedot

A_Spout_Spray

ATT-KWC-ABLAUFGARNITUR

Connection

Spout

Handling

ATT-KWC-FARBCODE

Installation_type

Faucet_typ

Measure_Height

G_Acoustic group

Projection_A

EnergyLabelCH

ATT-KWC-MASS-WASSERAUSTRITT

Materiaali

lviCode

5,8 l/min (3 bar)

mit_Ablaufgarnitur

Flexible_Anschlusschläuche

Kiinnitetty

topbedient

chromeline

Standmontage

Hebelmischer

205

I

A125

A

101

Messinki

0

