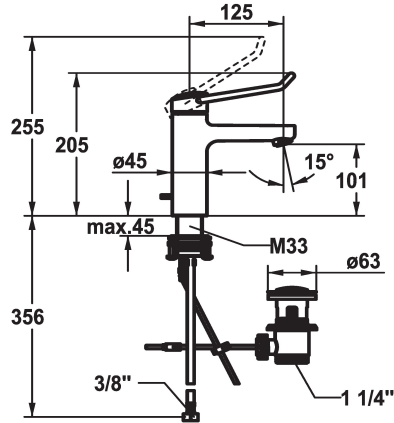


KWC VITA PRO 2.0 Lever mixer - Basin

Modell-Linie: VITA PRO 2.0 | 12.528.041.000FL
Taps | Manual taps



KWC-No.

125224
chromeline, A 125, flexible connection hoses, with pop-up valve

125225
chromeline, A 125, flexible connection hoses, without pop-up valve

- * Lever mixer
- * Operation designed for a secure grip, as well as safe and easy handling
- * Ergonomic and robust operating lever, made of polyamide
- to adjust the handling even better to suit personal requirements, the offset lever can be installed so that it is twisted into the cap (standard: see illustration)
- * EcoProtect - water-saving device
- * Fixed spout
- Neoperl® Perlator® laminar
- * KWC cartridge with safety device M 35 OP

pop-up valve

with pop-up valve

without pop-up valve

- with ceramic discs
- flow rate and temperature continuously variable
- temperature limitation
- Reinforced stopper for output volume and temperature (standard setting)
- * Flexible connection hoses 3/8"
- * QuickInstallation - Fastening via threaded connection with locking screws
- * Mounting hole size ø35 mm
- * Scope of delivery:
- KWC pop-up valve Z.538.581.000

Technical Data

Flow rate	5,8 l/min (3 bar)
pop-up valve	with pop-up valve
Connection	Flexible connection hoses
Spout	fixed
Handling	top lever
Color code	chromeline
Installation type	Pillar installation
Faucet_typ	Lever mixer
Measure Height	205
Acoustic group	I
Projection A	A 125
Energy label	A
Dimension Water outlet	101
material	Brass

Flow rate	5,8 l/min (3 bar)
pop-up valve	with pop-up valve
Connection	Flexible connection hoses
Spout	fixed
Handling	top lever
Color code	chromeline
Installation type	Pillar installation
Faucet_typ	Lever mixer
Measure Height	205
Acoustic group	I
Projection A	A 125
Energy label	A
Dimension Water outlet	101
material	Brass

