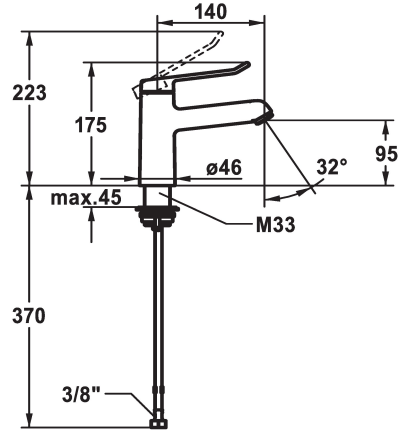


## KWC VITA 2.0 Lever mixer - Basin

Modell-Linie: VITA 2.0 | 12.518.052.000FL  
Taps | Manual taps



### KWC-No.

**125214**  
chromeline, A 140, flexible connection hoses, with pop-up valve

**125215**  
chromeline, A 140, flexible connection hoses, without pop-up valve

- \* Lever mixer
- \* EcoProtect - water-saving device
- \* Fixed spout
  - Neoperl® Perlator® laminar
- \* KWC cartridge with safety device M 35 OP
- with ceramic discs

- flow rate and temperature continuously variable
- \* Flexible connection hoses 3/8"
- \* QuickInstallation - Fastening via threaded connection with locking screws
- \* Mounting hole size ø35 mm

### Technical Data

Flow rate
Pop-up_valve
Connection
Spout
Handling
Color code
Installation_type
Faucet_typ
Dimension Height
G_Acoustic group
Projection_A
Energy Label
Dimension Water outlet
material

5,8 l/min (3 bar)
without pop-up valve
Flexible connection hoses
fixed
top lever
chrome
Pillar installation
Lever mixer
175
I
A 140
A
95
Brass

