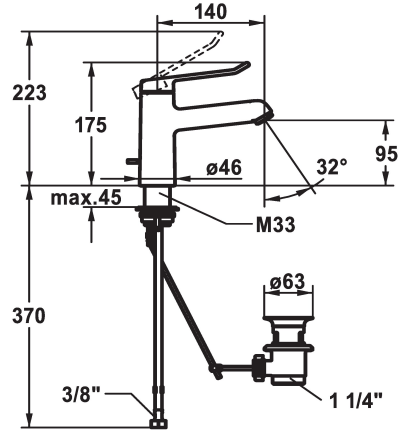


## KWC VITA 2.0 Lever mixer - Basin

Modell-Linie: VITA 2.0 | 12.518.042.000FL  
Taps | Manual taps



### KWC-No.

**125214**  
chromeline, A 140, flexible connection hoses, with pop-up valve

**125215**  
chromeline, A 140, flexible connection hoses, without pop-up valve

- \* Lever mixer
- \* EcoProtect - water-saving device
- \* Fixed spout
  - Neoperl® Perlator® laminar
- \* KWC cartridge with safety device G 35 OP
  - with ceramic discs
  - flow rate and temperature continuously variable

- \* Flexible connection hoses 3/8"
- \* QuickInstallation - Fastening via threaded connection with locking screws
- \* Mounting hole size  $\varnothing 35$  mm
- \* Scope of delivery:
  - KWC pop-up valve Z.538.581.000

### Technical Data

|                        |
|------------------------|
| Flow rate              |
| Pop-up_valve           |
| Connection             |
| Spout                  |
| Handling               |
| Color_code             |
| Installation_type      |
| Faucet_typ             |
| Dimension Height       |
| G_Acoustic group       |
| Projection_A           |
| Energy Label           |
| Dimension Water outlet |
| material               |

|                           |
|---------------------------|
| 5,8 l/min (3 bar)         |
| with pop-up valve         |
| Flexible connection hoses |
| fixed                     |
| top lever                 |
| chrome                    |
| Pillar installation       |
| Lever mixer               |
| 175                       |
| I                         |
| A 140                     |
| A                         |
| 95                        |
| Brass                     |

