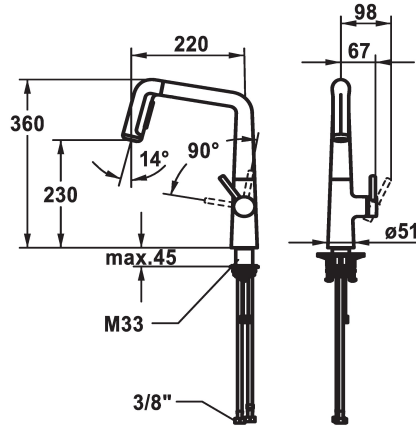


KWC KIO Lever mixer - Kitchen

Modell-Linie: KIO | 10.481.002.127FL
Kranar | Hydraulické armatúry



KWC-No.

125202
chromeline, A 220, flexible connection hoses

125203
matt black, A 220, flexible connection hoses

125204
decor steel, A 220, flexible connection hoses

ATT-KWC-FARBCODE

chromeline

matt black

decor steel

- * Lever mixer
- * Lever installation only possible on the right side
- Child safety: cold water flow in lever position towards the front
- * gap between wall and centre of mounting hole min. 26 mm
- * TouchProtect - anti-scald protection thanks to the "double skin" principle
- * Pull-out spray ergonomic spout alignment, shape and handling
- SprayClean - easy to clean and actively prevents limescale buildup
- Neoperl® Perlator® laminar
- PowerClean - needle spray mode, with automatic diverter reset
- up to 500 mm pull-out length

- * Hose guide, swivelling 150°, can be extended to 360°
- * EasyLock - a pull-out spray that easily slides back into place
- * OptimalSpace - ample space for washing or working
- * KWC cartridge M 35 S
- with ceramic discs
- flow rate and temperature continuously variable
- * Flexible connection hoses 3/8"
- * QuickInstallation - Fastening via threaded connection with locking screws
- * Mounting hole size ø35 mm
- * To be ordered separately (optional or if necessary):
- Swivel range limited to 120°; Z.538.320

Technical Data

ATT-KWC-A_AUSZUGBRAUSE_SIEB

9 l/min (3 bar)

ATT-KWC-A_AUSZUGBRAUSE_NORMAL

10 l/min (3 bar)

Connection

Flexible_Anschlusschläuche

ATT-KWC-AUSLAUF

schwenkbar

Handling

seitenbedient

Kitchen_spray

Auszugbrause

ATT-KWC-FARBCODE

decor steel

Installation_type

Standmontage

Faucet_typ

Hebelmischer

ATT-KWC-BAUFORM

L-Auslauf

Measure_Height

360

G_Acoustic group

I

Projection_A

A220

EnergyLabelCH

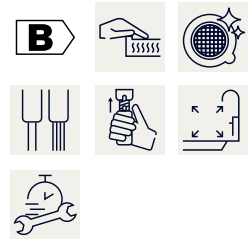
B

ATT-KWC-MASS-WASSERAUSTRITT

230

Material

Mässing



Reservdelar

KWC KIO

Lever mixer - Kitchen

Modell-Linie: KIO | 10.481.002.127FL
Kranar | Hydraulické armatury



Wrench to KIO pull-out spray

538810
Z.538.810
