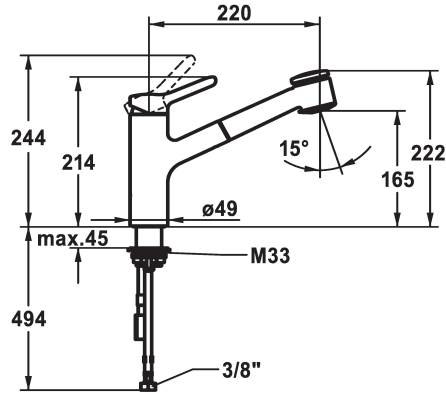


KWC WAMAS 2.0 Lever mixer - Kitchen

Modell-Linie: WAMAS 2.0 | 10.471.032.000FL
Taps | Manual taps



KWC-No.

125178
chromeline, A 220, flexible connection hoses

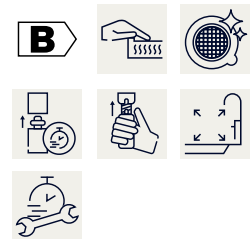
- * Lever mixer
- * TouchProtect - anti-scald protection thanks to the "double skin" principle
- * Intrinsicly safe against backflow
- * Pull-out spray
 - SprayClean - easy to clean and actively prevents limescale buildup
 - up to 600 mm pull-out length
 - hose surface to fit faucet surface
 - QuickConnect - Simple hose connection system

- * Hose guide, swivelling 130°
- * EasyLock - a pull-out spray that easily slides back into place
- * OptimalSpace - ample space for washing or working
- * KWC cartridge M 35 H
 - with ceramic discs
 - flow rate and temperature continuously variable
- * Flexible connection hoses 3/8"
- * QuickInstallation - Fastening via threaded connection with locking screws
- * Mounting hole size ø35 mm

Technical Data

Flow rate needle spray
Flow rate normal spray
Connection
Spout
Handling
Kitchen_spray
Color code
Installation_type
Faucet_typ
Dimension Height
G_Acoustic group
Projection_A
Energy Label
Dimension Water outlet
material

10 l/min (3 bar)
10 l/min (3 bar)
Flexible connection hoses
swivel
top lever
Pull-out spray
chrome
Pillar installation
Lever mixer
214
II
A 220
B
165
Brass



Spare Parts



KWC WAMAS 2.0
Lever mixer - Kitchen

Modell-Linie: WAMAS 2.0 | 10.471.032.000FL
Taps | Manual taps



Cartridge M 35 H

538327
Z.537.582
