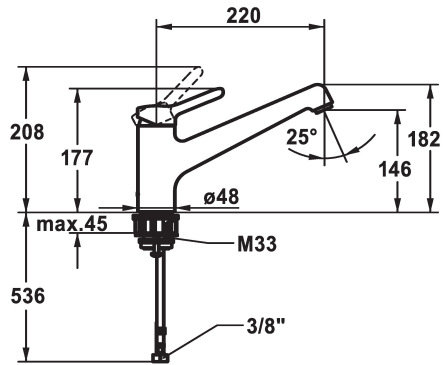


KWC WAMAS 2.0 Lever mixer - Kitchen

Modell-Linie: WAMAS 2.0 | 10.471.022.000FL
Taps | Manual taps



KWC-No.

125176

chromeline, A 220, flexible connection hoses

- * Lever mixer
- * Swivel spout 160°
- Neoperl® Perlator® SJR, swivelling jet regulator
- * OptimalSpace - ample space for washing or working
- * KWC cartridge M 35 H
- with ceramic discs

- flow rate and temperature continuously variable
- * Flexible connection hoses 3/8"
- * QuickInstallation - Fastening via threaded connection with locking screws
- * Mounting hole size ø35 mm

Technical Data

Flow rate
Connection
Spout
Handling
Color_code
Installation_type
Faucet_typ
Dimension Height
G_Acoustic group
Projection_A
Energy Label
Dimension Water outlet
material

12 l/min (3 bar)
Flexible connection hoses
swivel
top lever
chrome
Pillar installation
Lever mixer
177
I
A 220
B
146
Brass



Spare Parts





KWC WAMAS 2.0
Lever mixer - Kitchen

Modell-Linie: WAMAS 2.0 | 10.471.022.000FL
Taps | Manual taps

Cartridge M 35 H

538327
Z.537.582
