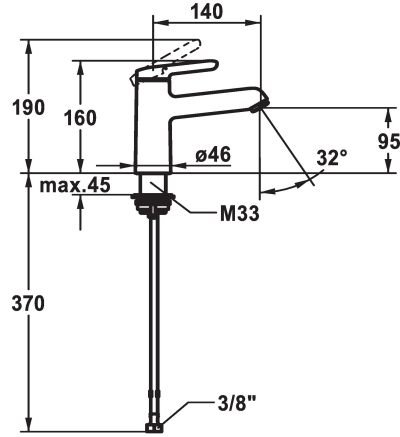


## KWC WAMAS 2.0 Lever mixer - Basin

Modell-Linie: WAMAS 2.0 | 12.478.052.000FL  
Hanat | Käsi käyttöiset hanat



### KWC-No.

**125149**  
chromeline, A 140, flexible connection hoses, with pop-up valve

**125150**  
chromeline, A 140, flexible connection hoses, without pop-up valve

- \* Lever mixer
- \* EcoProtect - water-saving device
- \* Fixed spout
- Neoperl® Perlator® SSR, swivelling jet regulator
- \* KWC cartridge M 35 OP
- with ceramic discs

### ATT-KWC- ABLAUFGARNITUR

mit\_Ablaufgarnitur

ohne\_Ablaufgarnitur

- flow rate and temperature continuously variable
- temperature limitation
- \* Flexible connection hoses 3/8"
- \* QuickInstallation - Fastening via threaded connection with locking screws
- \* Mounting hole size ø35 mm

### Tekniset tiedot

A_Spout_Spray
ATT-KWC-ABLAUFGARNITUR
Connection
Spout
Handling
Värikoodi
Installation_type
Faucet_typ
Measure_Height
G_Acoustic group
Projection_A
EnergyLabelCH
ATT-KWC-MASS-WASSERAUSTRITT
Materiaali
lviCode

5 l/min (3 bar)
ohne_Ablaufgarnitur
Flexible_Anschlusschläuche
Kiinnitetty
topbedient
chromeline
Standmontage
Hebelmischer
160
I
A140
A
95
Messinki
0



### Varaosat

## KWC WAMAS 2.0 Lever mixer - Basin

Modell-Linie: WAMAS 2.0 | 12.478.052.000FL  
Hanat | Käsi­käyt­toiset hanat



### Cartridge M 35 OP

---

**538331**  
Z.537.710

---