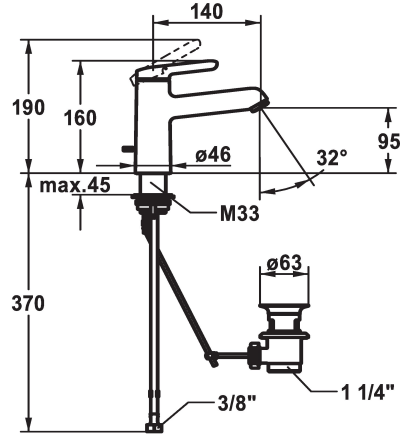


## KWC WAMAS 2.0 Lever mixer - Basin

Modell-Linie: WAMAS 2.0 | 12.478.042.000FL  
Taps | Manual taps



### KWC-No.

**125149**  
chromeline, A 140, flexible connection hoses, with pop-up valve

**125150**  
chromeline, A 140, flexible connection hoses, without pop-up valve

- \* Lever mixer
- \* EcoProtect - water-saving device
- \* Fixed spout
- Neoperl® Perlator® SSR, swivelling jet regulator
- \* KWC cartridge M 35 OP
- with ceramic discs
- flow rate and temperature continuously variable

### Pop-up\_valve

with pop-up valve

without pop-up valve

- temperature limitation
- \* Flexible connection hoses 3/8"
- \* QuickInstallation - Fastening via threaded connection with locking screws
- \* Mounting hole size ø35 mm
- \* Scope of delivery:
- KWC pop-up valve Z.538.581.000

### Technical Data

|                        |
|------------------------|
| Flow rate              |
| Pop-up_valve           |
| Connection             |
| Spout                  |
| Handling               |
| Color code             |
| Installation_type      |
| Faucet_typ             |
| Dimension Height       |
| G_Acoustic group       |
| Projection_A           |
| Energy Label           |
| Dimension Water outlet |
| material               |

|                           |
|---------------------------|
| 5 l/min (3 bar)           |
| with pop-up valve         |
| Flexible connection hoses |
| fixed                     |
| top lever                 |
| chrome                    |
| Pillar installation       |
| Lever mixer               |
| 160                       |
| I                         |
| A 140                     |
| A                         |
| 95                        |
| Brass                     |



### Spare Parts

## KWC WAMAS 2.0 Lever mixer - Basin

Modell-Linie: WAMAS 2.0 | 12.478.042.000FL  
Taps | Manual taps



### Cartridge M 35 OP

---

**538331**  
Z.537.710

---