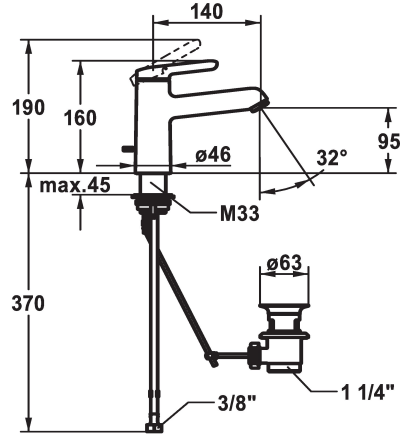


KWC WAMAS 2.0 Lever mixer - Basin

Modell-Linie: WAMAS 2.0 | 12.478.042.000FL
Umyvadlové armatury | Hydraulické armatury



KWC-No.

125149
chromeline, A 140, flexible connection hoses, with pop-up valve

125150
chromeline, A 140, flexible connection hoses, without pop-up valve

- * Lever mixer
- * EcoProtect - water-saving device
- * Fixed spout
 - Neoperl® Perlator® SSR, swivelling jet regulator
- * KWC cartridge M 35 OP
 - with ceramic discs
 - flow rate and temperature continuously variable

ATT-KWC- ABLAUFGARNITUR

mit_Ablaufgarnitur

ohne_Ablaufgarnitur

- temperature limitation
- * Flexible connection hoses 3/8"
- * QuickInstallation - Fastening via threaded connection with locking screws
- * Mounting hole size ø35 mm
- * Scope of delivery:
 - KWC pop-up valve Z.538.581.000

Technické údaje

A_Spout_Spray

ATT-KWC-ABLAUFGARNITUR

Connection

ATT-KWC-AUSLAUF

Handling

ATT-KWC-FARBCODE

Installation_type

Faucet_typ

Measure_Height

G_Acoustic group

Projection_A

EnergyLabelCH

ATT-KWC-MASS-WASSERAUSTRITT

Materiál

5 l/min (3 bar)

mit_Ablaufgarnitur

Flexible_Anschlusschläuche

fixovaná

topbedient

chromeline

Standmontage

Hebelmischer

160

I

A140

A

95

mosaz



Náhradní díly

KWC WAMAS 2.0 Lever mixer - Basin

Modell-Linie: WAMAS 2.0 | 12.478.042.000FL
Umyvadlové armatury | Hydraulické armatury



Cartridge M 35 OP

538331
Z.537.710
