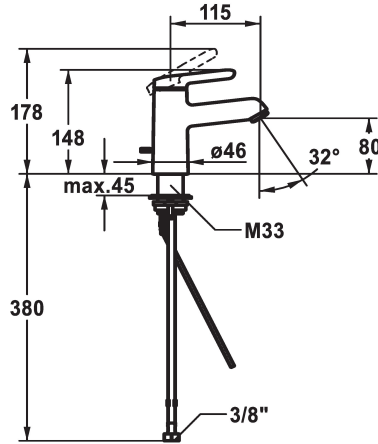
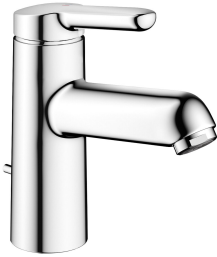


## KWC WAMAS 2.0

Lever mixer - Basin - CoolFix

Modell-Linie: WAMAS 2.0 | 12.478.031.000FLGE

Taps | Manual taps



### KWC-No.

**125148**

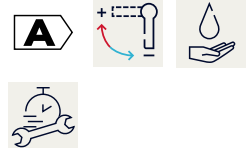
chromeline, A 115, flexible connection hoses, without pop-up valve, with bar

- \* Lever mixer
- \* CoolFix - Cold water flow with a centered lever
- \* EcoProtect - water-saving device
- \* Fixed spout
- Neoperl® Perlator® SSR, swivelling jet regulator
- \* KWC cartridge M 35 OP
- with ceramic discs

- flow rate and temperature continuously variable
- temperature limitation
- \* Flexible connection hoses 3/8"
- \* QuickInstallation - Fastening via threaded connection with locking screws
- \* Mounting hole size ø35 mm

### Technical Data

Flow rate	5 l/min (3 bar)
pop-up valve	without pop-up valve, with bar
Connection	Flexible connection hoses
Spout	fixed
Handling	top lever
Color code	chromeline
Installation type	Pillar installation
Faucet_typ	Lever mixer
Measure Height	148
Energysaving	Coolfix
Acoustic group	I
Projection A	A 115
Energy label	A
Dimension Water outlet	80
material	Brass



### Spare Parts

**KWC** WAMAS 2.0  
Lever mixer - Basin - CoolFix

**Modell-Linie: WAMAS 2.0 | 12.478.031.000FLGE**  
Taps | Manual taps



**Cartridge M 35 OP**

---

**538331**  
Z.537.710

---