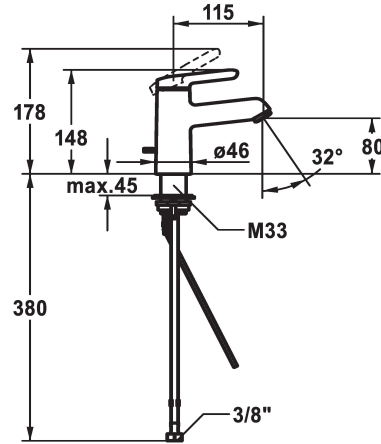
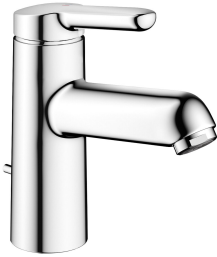


KWC WAMAS 2.0

Lever mixer - Basin - CoolFix

Modell-Linie: WAMAS 2.0 | 12.478.031.000FLGE

Taps | Manual taps



KWC-No.

125148

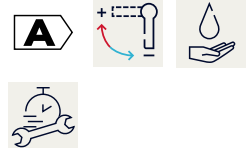
chromeline, A 115, flexible connection hoses, without pop-up valve, with bar

- * Lever mixer
- * CoolFix - Cold water flow with a centered lever
- * EcoProtect - water-saving device
- * Fixed spout
- Neoperl® Perlator® SSR, swivelling jet regulator
- * KWC cartridge M 35 OP
- with ceramic discs

- flow rate and temperature continuously variable
- temperature limitation
- * Flexible connection hoses 3/8"
- * QuickInstallation - Fastening via threaded connection with locking screws
- * Mounting hole size ø35 mm

Technical Data

Flow rate	5 l/min (3 bar)
Pop-up_valve	without pop-up valve, with bar
Connection	Flexible connection hoses
Spout	fixed
Handling	top lever
Color code	chrome
Installation_type	Pillar installation
Faucet_typ	Lever mixer
Dimension Height	148
Energysaving	Coolfix
G_Acoustic group	I
Projection_A	A 115
Energy Label	A
Dimension Water outlet	80
material	Brass



Spare Parts

KWC WAMAS 2.0
Lever mixer - Basin - CoolFix

Modell-Linie: WAMAS 2.0 | 12.478.031.000FLGE
Taps | Manual taps



Cartridge M 35 OP

538331
Z.537.710
