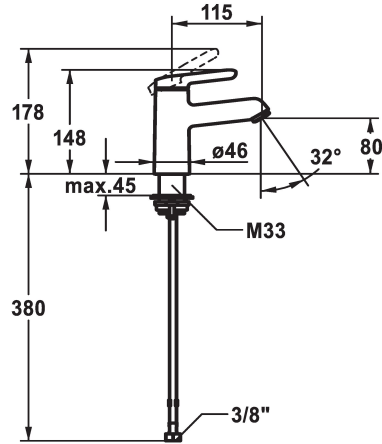
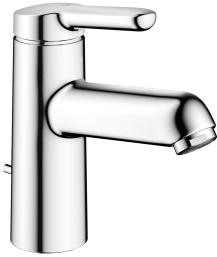


KWC WAMAS 2.0

Lever mixer - Basin - CoolFix

Modell-Linie: WAMAS 2.0 | 12.478.071.000FL
Kranar | Hydraulické armatúry



KWC-No.

125146
chromeline, A 115, flexible connection hoses, with pop-up valve

125147
chromeline, A 115, flexible connection hoses, without pop-up valve

- * Lever mixer
- * CoolFix - Cold water flow with a centered lever
- * EcoProtect - water-saving device
- * Fixed spout
- Neoperl® Perlator® SSR, swivelling jet regulator
- * KWC cartridge M 35 OP
- with ceramic discs

Technical Data

A_Spout_Spray
ATT-KWC-ABLAUFGARNITUR
Connection
ATT-KWC-AUSLAUF
Handling
ATT-KWC-FARBCODE
Installation_type
Faucet_typ
Measure_Height
ATT-KWC-ENERGIESPAREN
G_Acoustic group
Projection_A
EnergyLabelCH
ATT-KWC-MASS-WASSERAUSTRITT
Material

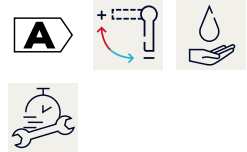
ATT-KWC-ABLAUFGARNITUR

mit_Ablaufgarnitur

ohne_Ablaufgarnitur

- flow rate and temperature continuously variable
- temperature limitation
- * Flexible connection hoses 3/8"
- * QuickInstallation - Fastening via threaded connection with locking screws
- * Mounting hole size ø35 mm

5 l/min (3 bar)
ohne_Ablaufgarnitur
Flexible_Anschlusschläuche
fest
topbedient
chromeline
Standmontage
Hebelmischer
148
Coolfix
I
A115
A
80
Mässing



Reservdelar

KWC WAMAS 2.0
Lever mixer - Basin - CoolFix

Modell-Linie: WAMAS 2.0 | 12.478.071.000FL
Kranar | Hydraulické armatury



Cartridge M 35 OP

538331
Z.537.710
