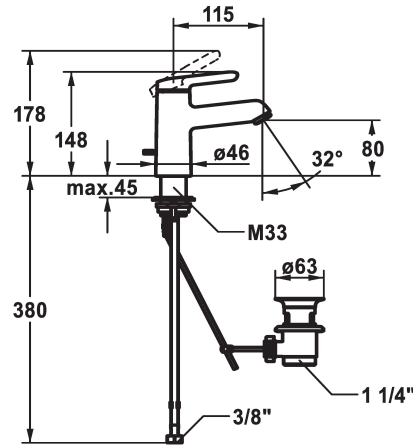
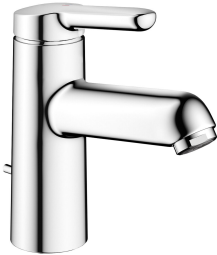


## KWC WAMAS 2.0

Lever mixer - Basin - CoolFix

Modell-Linie: WAMAS 2.0 | 12.478.031.000FL  
Taps | Manual taps



### KWC-No.

**125146**  
chromeline, A 115, flexible connection hoses, with pop-up valve

**125147**  
chromeline, A 115, flexible connection hoses, without pop-up valve

- \* Lever mixer
- \* CoolFix - Cold water flow with a centered lever
- \* EcoProtect - water-saving device
- \* Fixed spout
- Neoperl® Perlator® SSR, swivelling jet regulator
- \* KWC cartridge M 35 OP
- with ceramic discs
- flow rate and temperature continuously variable

### Pop-up\_valve

with pop-up valve

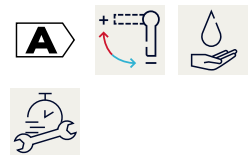
without pop-up valve

- temperature limitation
- \* Flexible connection hoses 3/8"
- \* QuickInstallation - Fastening via threaded connection with locking screws
- \* Mounting hole size ø35 mm
- \* Scope of delivery:
- KWC pop-up valve Z.538.581.000

### Technical Data

Flow rate	5 l/min (3 bar)
Pop-up_valve	with pop-up valve
Connection	Flexible connection hoses
Spout	fixed
Handling	top lever
Color code	chrome
Installation_type	Pillar installation
Faucet_typ	Lever mixer
Dimension Height	148
Energysaving	Coolfix
G_Acoustic group	I
Projection_A	A 115
Energy Label	A
Dimension Water outlet	80
material	Brass

Flow rate	5 l/min (3 bar)
Pop-up_valve	with pop-up valve
Connection	Flexible connection hoses
Spout	fixed
Handling	top lever
Color code	chrome
Installation_type	Pillar installation
Faucet_typ	Lever mixer
Dimension Height	148
Energysaving	Coolfix
G_Acoustic group	I
Projection_A	A 115
Energy Label	A
Dimension Water outlet	80
material	Brass



### Spare Parts

**KWC** WAMAS 2.0  
Lever mixer - Basin - CoolFix

**Modell-Linie: WAMAS 2.0 | 12.478.031.000FL**  
Taps | Manual taps



**Cartridge M 35 OP**

---

**538331**  
Z.537.710

---