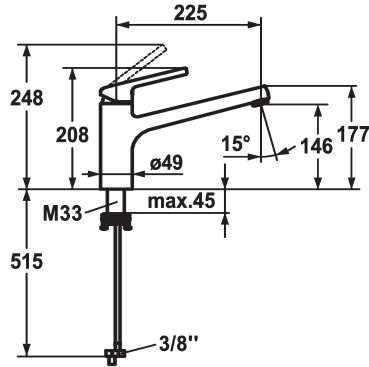


## KWC LUNA E Lever mixer - Kitchen

Modell-Linie: LUNA E | 10.445.023.000FL  
Taps | Manual taps



### KWC-No.

**125137**  
chromeline, A225

- \* Lever mixer
- \* Swivel spout 160°
- Neoperl® Cascade®
- \* KWC cartridge M 35
- with ceramic discs

- flow rate and temperature continuously variable
- \* Flexible connection hoses 3/8"
- \* QuickInstallation - Fastening via threaded connection with locking screws
- \* Mounting hole size ø35 mm

### Technical Data

Flow rate
Connection
Spout
Handling
Color code
Installation type
Faucet_typ
Measure Height
Energysaving
Acoustic group
Projection A
Energy label
Dimension Water outlet
material

6 l/min (3 bar)
Flexible connection hoses
swivel
side lever
chromeline
Pillar installation
Lever mixer
208
low pressure
I
A 225
A
146
Brass



### Spare Parts





**KWC** LUNA E  
Lever mixer - Kitchen

**Modell-Linie: LUNA E | 10.445.023.000FL**  
Taps | Manual taps

**Cartridge M 35 H**

---

**538327**  
Z.537.582

---