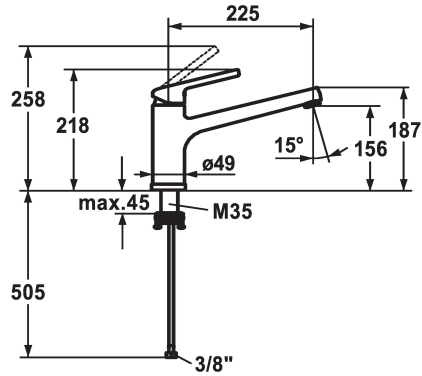
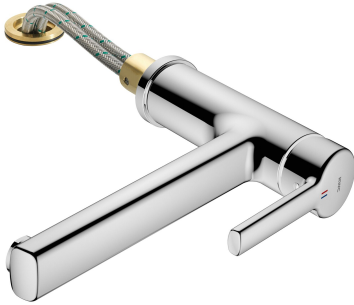


KWC LUNA E Lever mixer - Kitchen

Modell-Linie: LUNA E | 10.441.043.000FL
Kranar | Hydraulické armatúry



KWC-No.

125135
chromeline, A225

- * Lever mixer
- * Detachable for installation below windows - detached 55 mm
- * Swivel spout 160°
- Neoperl® Cascade®
- * KWC cartridge M 35
- with ceramic discs

- flow rate and temperature continuously variable
- * Flexible connection hoses 3/8"
- * Fastening by means of threaded sleeve M35 x 1.5 (preassembled socket)
- * Mounting hole size $\varnothing 35$ - 37 mm

Technical Data

A_Spout_Spray
Connection
ATT-KWC-AUSLAUF
ATT-KWC-UNTERFENSTER
Handling
ATT-KWC-FARBCODE
Installation_type
Faucet_typ
Measure_Height
G_Acoustic group
Projection_A
EnergyLabelCH
ATT-KWC-MASS-WASSERAUSTRITT
Material

12 l/min (3 bar)
Flexible_Anschlusschläuche
schwenkbar
wegnehmbar
seitenbedient
chromeline
Standmontage
Hebelmischer
218
I
A225
B
156
Mässing



Reservdelar



KWC LUNA E
Lever mixer - Kitchen

Modell-Linie: LUNA E | 10.441.043.000FL
Kranar | Hydraulické armatury



Cartridge M 35 H

538327
Z.537.582
