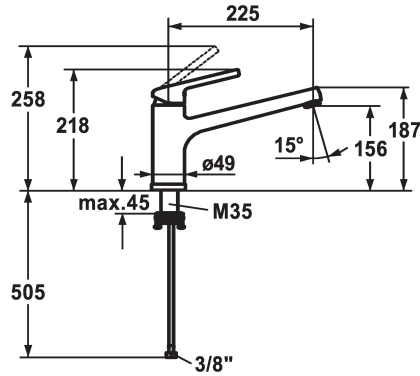
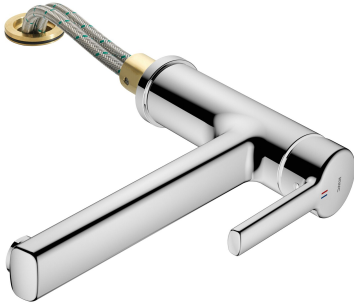


## KWC LUNA E Lever mixer - Kitchen

Modell-Linie: LUNA E | 10.441.043.000FL  
Taps | Manual taps



### KWC-No.

**125135**  
chromeline, A225

- \* Lever mixer
- \* Detachable for installation below windows - detached 55 mm
- \* Swivel spout 160°
- Neoperl® Cascade®
- \* KWC cartridge M 35
- with ceramic discs

- flow rate and temperature continuously variable
- \* Flexible connection hoses 3/8"
- \* Fastening by means of threaded sleeve M35 x 1.5 (preassembled socket)
- \* Mounting hole size ø35 - 37 mm

### Technical Data

Flow rate
Connection
Spout
Detachable
Handling
Color_code
Installation_type
Faucet_typ
Dimension Height
G_Acoustic group
Projection_A
Energy Label
Dimension Water outlet
material

12 l/min (3 bar)
Flexible connection hoses
swivel
detachable
side lever
chrome
Pillar installation
Lever mixer
218
I
A 225
B
156
Brass



### Spare Parts



**KWC** LUNA E  
Lever mixer - Kitchen

**Modell-Linie: LUNA E | 10.441.043.000FL**  
Taps | Manual taps



**Cartridge M 35 H**

---

**538327**  
Z.537.582

---