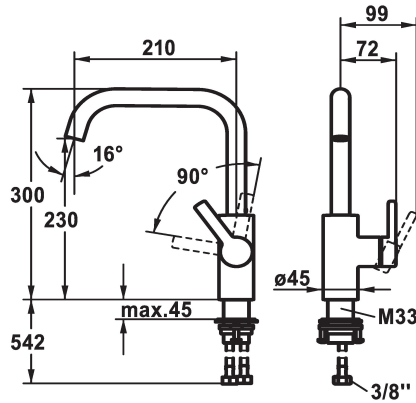


KWC LUNA E Lever mixer - Kitchen

Modell-Linie: LUNA E | 10.441.013.000FL
Kranar | Hydraulické armatúry



KWC-No.

125131
chromeline, A210

125132
matt black, A210

ATT-KWC-FARBCODE

chromeline

matt black

- * Lever mixer
- * Lever installation only possible on the right side
- Child safety: cold water flow in lever position towards the front
- * gap between wall and centre of mounting hole min. 25 mm
- * SwivelStop - swivel spout 360°, limitable to 150°
- Neoperl® Caché®
- * KWC cartridge M 35 S

- with ceramic discs
- flow rate and temperature continuously variable
- * Flexible connection hoses 3/8"
- * QuickInstallation - Fastening via threaded connection with locking screws
- * Mounting hole size ø35 mm

Technical Data

A_Spout_Spray

Connection

ATT-KWC-AUSLAUF

Handling

ATT-KWC-FARBCODE

Installation_type

Faucet_typ

Measure_Height

G_Acoustic group

Projection_A

EnergyLabelCH

ATT-KWC-MASS-WASSERAUSTRITT

Material

12 l/min (3 bar)

Flexible_Anschlusschläuche

schwenkbar

seitenbedient

chromeline

Standmontage

Hebelmischer

300

I

A210

B

230

Mässing



Reservdelar

KWC LUNA E Lever mixer - Kitchen

Modell-Linie: LUNA E | 10.441.013.000FL
Kranar | Hydraulické armatury



Service key Neoperl © Caché ©, JR, 21
mm, red

639017
Z.635.215
