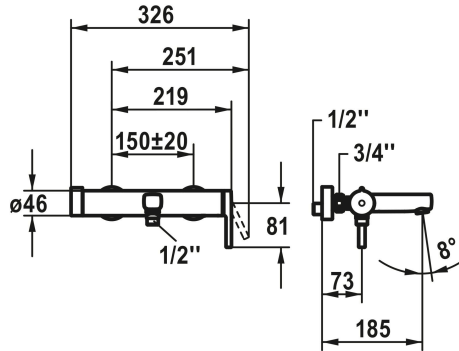


KWC AVA 2.0 Lever mixer - tub

Modell-Linie: AVA 2.0 | 20.462.483.000
Showers | Exposed bath mixer



KWC-No.

125114
chromeline, AD 150±20, A 185, without shower, hose and bracket

- * TouchProtect - anti-scald protection thanks to the "double skin" principle
- * Turning handle for diverter
- * Intrinsically safe against backflow
- * Fixed spout
- Neoperl® Perlator® laminar

- * KWC cartridge M 35-S HF
- with ceramic discs
- flow rate and temperature continuously variable
- temperature limitation
- * Wall connections 1/2" x 3/4", without shut-off valve eccentric 10 mm

Technical Data

Auslaufmenge	20 l/min (3 bar)
Brauseabgang: Auslaufmenge	13 l/min (3 bar)
Auslauf	fest
Brausegarnitur	ohne Brause, Schlauch, Halter
Bedienung	seitenbedient
Farbcode	chromeline
Installationsart	Wandmontage
Artikeltyp	Hebelmischer
Armaturengeräuschgruppe	II
Brauseabgang: Armaturengeräuschgruppe	I
Anschluss Mass	150+/-20
Material	Messing
Ausladung A	185 mm
Höhe maximal	30 mm



Spare Parts

KWC AVA 2.0 Lever mixer - tub

Modell-Linie: AVA 2.0 | 20.462.483.000
Showers | Exposed bath mixer



Control cartridge

537602
Z.537.602
