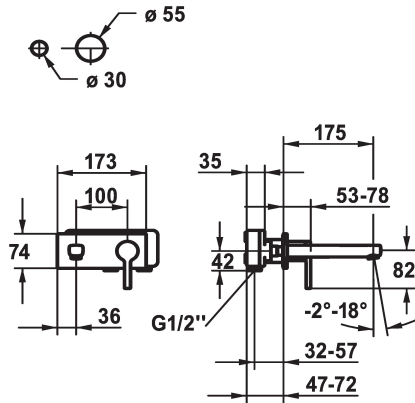
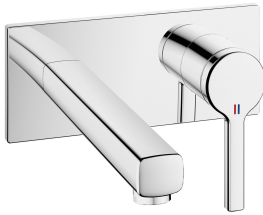


KWC AVA 2.0 Trim kit - Lever mixer - Basin

Modell-Linie: AVA 2.0 | 11.462.033.000
Taps | Manual taps



KWC-No.

125105
chromeline, A 175, Trim kit

125106
chromeline, A 225, Trim kit

Projection_A

A 175

A 225

- * Fixed spout
- Neoperl® Perlator® SSR, swivelling jet regulator
- * OptimalSpace - ample space for washing or working
- * KWC cartridge M 35 H
- with ceramic discs

- flow rate and temperature continuously variable
- * To be ordered separately:
- Unit for concealed installation ½" 39.001.402.000
- * To be ordered separately (optional or if necessary):
- Extension set 20 mm Z.536.333

Technical Data

Flow rate
Spout
Diameter
Handling
Color code
Installation_type
Faucet_typ
G_Acoustic group
Concealed_unit
Projection_A
Energy Label
material

5 l/min (3 bar)
fixed
173 x 74
front lever
chrome
Wall mounted
Lever mixer
I
Trim kit
A 175
A
Brass



Mandatory Accessories





KWC AVA 2.0
Trim kit - Lever mixer - Basin

Modell-Linie: AVA 2.0 | 11.462.033.000
Taps | Manual taps

Concealed unit

125189
39.001.402.000
