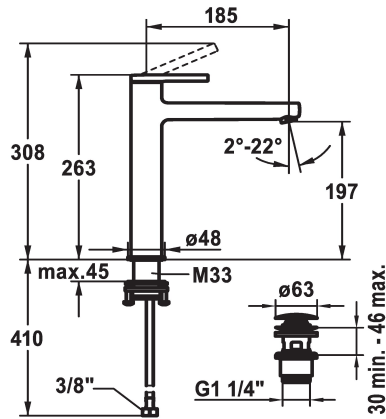
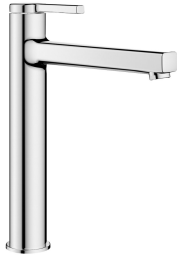


KWC AVA 2.0 Lever mixer - Basin

Modell-Linie: AVA 2.0 | 12.468.663.000FL
Taps | Manual taps



KWC-No.

125100
chromeline, A 185, flexible connection hoses, without pop-up valve

125101
chromeline, A 185, flexible connection hoses, with Push Open

- * For top-mounted basins
- * EcoProtect - water-saving device
- * Fixed spout
- Neoperl® Perlator® SSR, swivelling jet regulator
- * OptimalSpace - ample space for washing or working
- * KWC cartridge S 25
- with ceramic discs

Pop-up_valve

without pop-up valve

with Push open

- flow rate and temperature continuously variable
- * Flexible connection hoses 3/8"
- * QuickInstallation - Fastening via threaded connection with locking screws
- * Mounting hole size $\varnothing 35$ mm
- * Scope of delivery:
- KWC pop-up valve Push Open 2 in 1 Z.538.321.000

Technical Data

| |
|------------------------|
| Flow rate |
| Pop-up_valve |
| Connection |
| Handling |
| Color code |
| Installation_type |
| Faucet_typ |
| Dimension Height |
| G_Acoustic group |
| Projection_A |
| Energy Label |
| Dimension Water outlet |
| material |

| |
|---------------------------|
| 5 l/min (3 bar) |
| with Push open |
| Flexible connection hoses |
| top lever |
| chrome |
| for top-mounted sinks |
| Lever mixer |
| 263 |
| I |
| A 185 |
| A |
| 197 |
| Brass |

