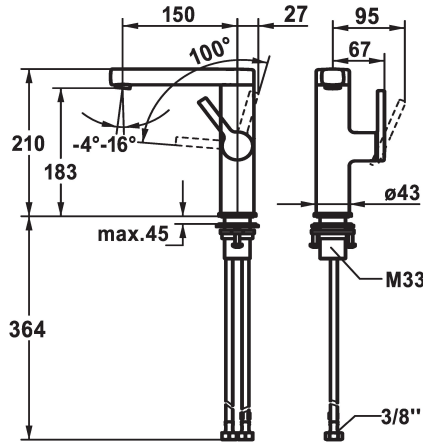
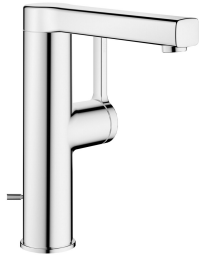


## KWC AVA 2.0 Lever mixer - Basin

Modell-Linie: AVA 2.0 | 12.468.141.000FL  
Taps | Manual taps



### KWC-No.

**125096**  
chromeline, A 150, flexible connection hoses, with pop-up valve

**125097**  
chromeline, A 150, flexible connection hoses, without pop-up valve

**125098**  
chromeline, A 150, flexible connection hoses, with Push Open

### Pop-up\_valve

with pop-up valve

without pop-up valve

with Push open

- \* Lever installation only possible on the right side
- Child safety: cold water flow in lever position towards the front
- \* gap between wall and centre of mounting hole min. 27 mm
- \* EcoProtect - water-saving device
- \* Swivel spout 120°
- Neoperl® Perlator® SJR, swivelling jet regulator
- \* OptimalSpace - ample space for washing or working

- \* KWC cartridge S 25
- with ceramic discs
- flow rate and temperature continuously variable
- \* Flexible connection hoses 3/8"
- \* QuickInstallation - Fastening via threaded connection with locking screws
- \* Mounting hole size  $\varnothing 35$  mm

### Technical Data

Flow rate	5 l/min (3 bar)
Pop-up_valve	without pop-up valve
Connection	Flexible connection hoses
Spout	swivel
Handling	side lever
Color code	chrome
Installation_type	Pillar installation
Faucet_typ	Lever mixer
Dimension Height	210
G_Acoustic group	I
Projection_A	A 150
Energy Label	A
Dimension Water outlet	183
material	Brass

Flow rate	5 l/min (3 bar)
Pop-up_valve	without pop-up valve
Connection	Flexible connection hoses
Spout	swivel
Handling	side lever
Color code	chrome
Installation_type	Pillar installation
Faucet_typ	Lever mixer
Dimension Height	210
G_Acoustic group	I
Projection_A	A 150
Energy Label	A
Dimension Water outlet	183
material	Brass

