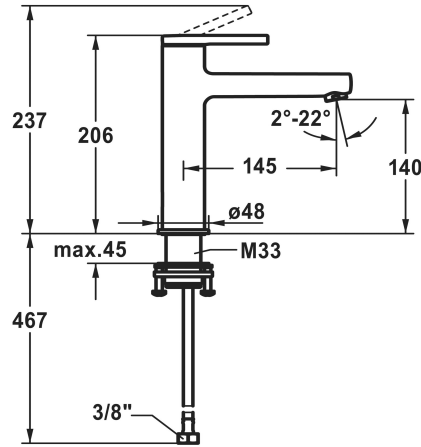
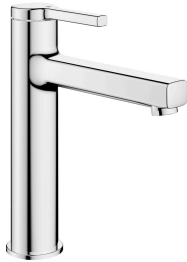


## KWC AVA 2.0

Lever mixer - basin

Modell-Linie: AVA 2.0 | 12.468.643.000FL

Taps | Manual taps



### KWC-No.

**125088**  
chromeline, A 145, flexible connection hoses 3/8", with pop-up valve

**125089**  
chromeline, A 145, flexible connection hoses 3/8", without pop-up valve

**125090**  
chromeline, A 145, flexible connection hoses 3/8", with Push Open

- \* EcoProtect - water-saving device
- \* Fixed spout
- Neoperl® Perlator® SSR, swivelling jet regulator
- \* OptimalSpace - ample space for washing or working
- \* KWC cartridge S 25
- with ceramic discs
- flow rate and temperature continuously variable

### Technical Data

Auslaufmenge	5 l/min (3 bar)
Ablaufgarnitur	mit Push Open
Anschluss	Flexible Anschlussschläuche 3/8"
Auslauf	fest
Bedienung	topbedient
Farbcode	chromeline
Installationsart	Standmontage
Artikeltyp	Hebelmischer
Armaturengeräuschgruppe	I
Preis/Mengenstaffel	56 Paletteneinheit
Energieetikette (CH)	A
Material	Messing
Ausladung A	145 mm
Höhe maximal	206 mm
Wasseraustritt minimum	140 mm

### Ablaufgarnitur

mit Ablaufventil

ohne Ablaufventil

mit Push Open

- \* Flexible connection hoses 3/8"
- \* QuickInstallation - Fastening via threaded connection with locking screws
- \* Mounting hole size ø35 mm
- \* Scope of delivery:
- KWC pop-up valve Push Open 2 in 1 Z.538.321.000



### Spare Parts

## KWC AVA 2.0 Lever mixer - basin

Modell-Linie: AVA 2.0 | 12.468.643.000FL  
Taps | Manual taps



**Control cartridge**

---

**538711**  
Z.536.032

---



**Service key Neoperl © casing M20x1,  
orange**

---

**638338**  
Z.638.338

---