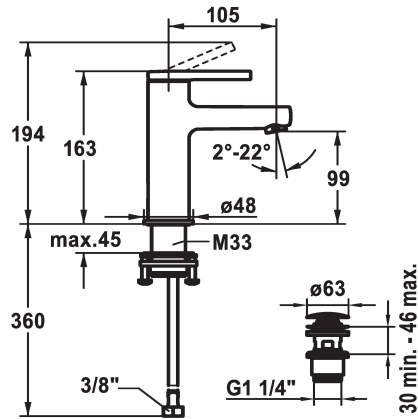


KWC AVA 2.0 Lever mixer - Basin

Modell-Linie: AVA 2.0 | 12.468.641.000FL
Taps | Manual taps



KWC-No.

125072
chromeline, A 105, flexible connection hoses, with pop-up valve

125073
chromeline, A 105, flexible connection hoses, without pop-up valve

125074
chromeline, A 105, flexible connection hoses, with Push Open

- * EcoProtect - water-saving device
- * Fixed spout
- Neoperl® Perlator® SSR, swivelling jet regulator
- * KWC cartridge S 25
- with ceramic discs
- flow rate and temperature continuously variable

Pop-up_valve

with pop-up valve

without pop-up valve

with Push open

- * Flexible connection hoses 3/8"
- * QuickInstallation - Fastening via threaded connection with locking screws
- * Mounting hole size $\varnothing 35$ mm
- * Scope of delivery:
- KWC pop-up valve Push Open 2 in 1 Z.538.321.000

Technical Data

Flow rate
Pop-up_valve
Connection
Spout
Handling
Color code
Installation_type
Faucet_typ
Dimension Height
G_Acoustic group
Projection_A
Energy Label
Dimension Water outlet
material

5 l/min (3 bar)
with Push open
Flexible connection hoses
fixed
top lever
chrome
Pillar installation
Lever mixer
163
I
A 105
A
99
Brass

