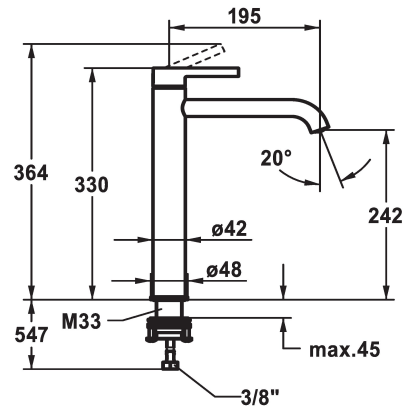


## KWC BEVO Lever mixer - Basin

Modell-Linie: BEVO | 12.421.093.177FL  
Kranar | Hydraulické armatúry



### KWC-No.

**124616**  
chromeline, A 195, flexible connection hoses, without pop-up valve

**125021**  
matt black, A 195, flexible connection hoses, without pop-up valve

**125048**  
brushed steel, A 195, flexible connection hoses, without pop-up valve

- \* Lever mixer
- \* For top-mounted basins
- \* EcoProtect - water-saving device
- \* Fixed spout
- Neoperl® Caché® CS, Coin Slot
- \* OptimalSpace - ample space for washing or working
- \* KWC cartridge M 35 OP

### ATT-KWC-FARBCODE

chromeline

matt black

brushed steel

- with ceramic discs
- flow rate and temperature continuously variable
- temperature limitation
- \* Flexible connection hoses 3/8"
- \* QuickInstallation - Fastening via threaded connection with locking screws
- \* Mounting hole size ø35 mm

### Technical Data

A\_Spout\_Spray

ATT-KWC-ABLAUFGARNITUR

Connection

Handling

ATT-KWC-FARBCODE

Installation\_type

Faucet\_typ

Measure\_Height

G\_Acoustic group

Projection\_A

EnergyLabelCH

ATT-KWC-MASS-WASSERAUSTRITT

Material

5 l/min (3 bar)

ohne\_Ablaufgarnitur

Flexible\_Anschlusschläuche

topbedient

brushed steel

für Waschschüssel

Hebelmischer

330

I

A195

A

242

Mässing



### Reservdelar

## KWC BEVO Lever mixer - Basin

Modell-Linie: BEVO | 12.421.093.177FL  
Kranar | Hydraulické armatury



### Cartridge M 35 OP

---

**538331**  
Z.537.710

---