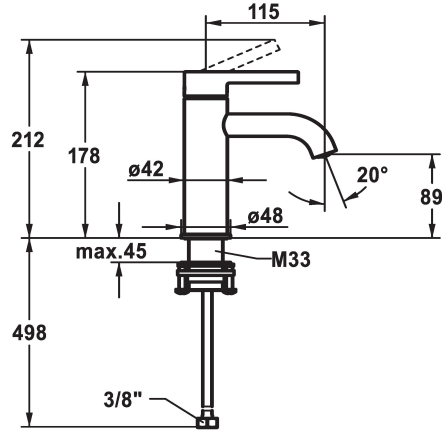


KWC BEVO Lever mixer - Basin

Modell-Linie: BEVO | 12.421.051.177FL
Taps | Manual taps



KWC-No.
125016 matt black, A 115, flexible connection hoses, with Push Open
125017 matt black, A 115, flexible connection hoses, without pop-up valve
125043 brushed steel, A 115, flexible connection hoses, with Push Open
125044 brushed steel, A 115, flexible connection hoses, without pop-up valve

Pop-up_valve	Color_code
with Push open	matt black
without pop-up valve	matt black
with Push open	brushed steel
without pop-up valve	brushed steel

- * Lever mixer
- * EcoProtect - water-saving device
- * Fixed spout
- Neoperl® Caché® CS, Coin Slot
- * KWC cartridge M 35 OP
- with ceramic discs

- flow rate and temperature continuously variable
- temperature limitation
- * Flexible connection hoses 3/8"
- * QuickInstallation - Fastening via threaded connection with locking screws
- * Mounting hole size ø35 mm

Technical Data
Flow rate
Pop-up_valve
Connection
Spout
Handling
Color_code
Installation_type
Faucet_typ
Dimension Height
G_Acoustic group
Projection_A
Energy Label
Dimension Water outlet
material

5 l/min (3 bar)
without pop-up valve
Flexible connection hoses
fixed
top lever
brushed steel
Pillar installation
Lever mixer
178
I
A 115
A
89
Brass



Spare Parts

KWC BEVO
Lever mixer - Basin

Modell-Linie: BEVO | 12.421.051.177FL
Taps | Manual taps



Cartridge M 35 OP

538331
Z.537.710
