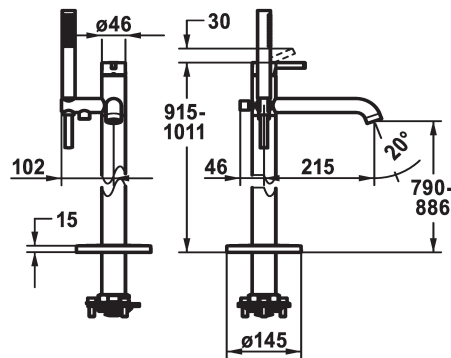
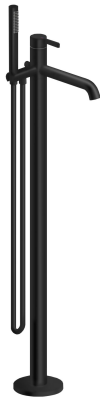


## KWC BEVO Lever mixer - Tub

Modell-Linie: BEVO | 20.421.093.176  
Showers | Exposed bath mixer



### KWC-No.

**124791**  
chromeline, A 215, with hand shower and hose

**125030**  
matt black, A 215, with hand shower and hose

**125057**  
brushed steel, A 215, with hand shower and hose

### Color code

chromeline

matt black

brushed steel

- \* Lever mixer
- \* For freestanding tub
- \* Integrated check valve in the hose outlet
- \* with shower holder
- \* Fixed spout
- Neoperl® SLIM®
- \* KWC cartridge M 35 OP
- with ceramic discs

- flow rate and temperature continuously variable
- temperature limitation
- \* Scope of delivery:
  - Hand shower KWC FIT-X slim 26.000.103.176
  - Shower hose 1500 mm, plastic 26.001.033.176
- \* To be ordered separately:
  - Unit for concealed installation 39.000.602.931

### Technical Data

|                              |
|------------------------------|
| Flow rate                    |
| Spray outlet: Flow rate      |
| Spout                        |
| Showerset                    |
| Handling                     |
| Color code                   |
| Installation type            |
| Faucet_typ                   |
| Dimension Height             |
| Acoustic group               |
| Spray outlet: Acoustic group |
| Projection A                 |
| Energy label                 |
| Dimension Water outlet       |
| material                     |

|                        |
|------------------------|
| 21 l/min (3 bar)       |
| 12 l/min (3bar)        |
| fixed                  |
| with shower head, hose |
| top lever              |
| matt black             |
| Freestanding           |
| Lever mixer            |
| 915-1011               |
| II                     |
| I                      |
| A 215                  |
| B                      |
| 790 -886               |
| Brass                  |



### Spare Parts

## KWC BEVO Lever mixer - Tub

Modell-Linie: BEVO | 20.421.093.176  
Showers | Exposed bath mixer



**Shower hose**

---

**538513**  
3600009263

---



**Cartridge M 35 OP**

---

**538331**  
Z.537.710

---