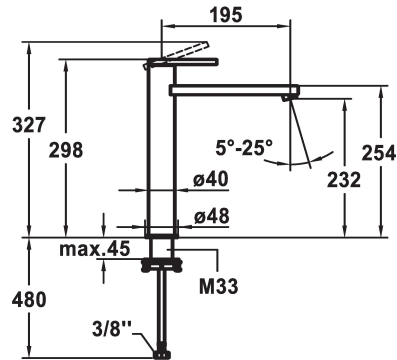


## KWC AVA E Lever mixer - Basin

Modell-Linie: AVA E | 12.451.093.700FL  
Kranar | Hydraulické armatúry



### KWC-No.

**124958**

stainless steel, A 195, flexible connection hoses, without pop-up valve

- \* Lever mixer
- \* For top-mounted basins
- \* EcoProtect - water-saving device
- \* Fixed spout
- Neoperl® Perlator® SSR, swivelling jet regulator
- \* OptimalSpace - ample space for washing or working
- \* KWC cartridge S 25

- with ceramic discs
- flow rate and temperature continuously variable
- \* Flexible connection hoses 3/8"
- \* QuickInstallation - Fastening via threaded connection with locking screws
- \* Mounting hole size ø35 mm

### Technical Data

A_Spout_Spray
ATT-KWC-ABLAUFGARNITUR
Connection
ATT-KWC-AUSLAUF
Handling
ATT-KWC-FARBCODE
Installation_type
Faucet_typ
Measure_Height
G_Acoustic group
Projection_A
EnergyLabelCH
ATT-KWC-MASS-WASSERAUSTRITT
Material

5 l/min (3 bar)
ohne_Ablaufgarnitur
Flexible_Anschlusschläuche
fest
topbedient
stainless steel
für Waschschüssel
Hebelmischer
298
l
A195
A
232
ROSTFREIER_STAHL



### Reservdelar

## KWC AVA E Lever mixer - Basin

Modell-Linie: AVA E | 12.451.093.700FL  
Kranar | Hydraulické armatury



**Cartridge S 25**

---

**538711**  
Z.536.032

---



**Service key Neoperl © casing M20x1,  
orange**

---

**638338**  
Z.638.338

---