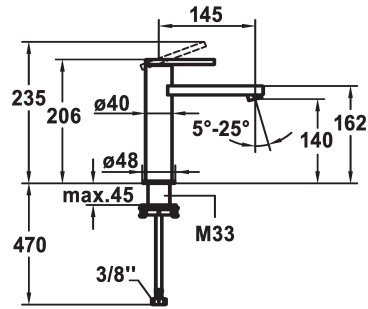


## KWC AVA E Lever mixer - Basin

Modell-Linie: AVA E | 12.451.052.700FL  
Taps | Manual taps



### KWC-No.

**124955**  
stainless steel, A 145, flexible connection hoses, with Push Open

**124956**  
stainless steel, A 145, flexible connection hoses, without pop-up valve

- \* Lever mixer
- \* EcoProtect - water-saving device
- \* Fixed spout
- Neoperl® Perlator® SSR, swivelling jet regulator
- \* OptimalSpace - ample space for washing or working
- \* KWC cartridge S 25

### Pop-up\_valve

with Push open

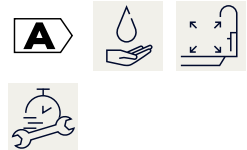
without pop-up valve

- with ceramic discs
- flow rate and temperature continuously variable
- \* Flexible connection hoses 3/8"
- \* QuickInstallation - Fastening via threaded connection with locking screws
- \* Mounting hole size ø35 mm

### Technical Data

Flow rate
Pop-up_valve
Connection
Spout
Handling
Color code
Installation_type
Faucet_typ
Dimension Height
G_Acoustic group
Projection_A
Energy Label
Dimension Water outlet
material

5 l/min (3 bar)
without pop-up valve
Flexible connection hoses
fixed
top lever
stainless steel
Pillar installation
Lever mixer
206
I
A 145
A
140
stainless steel



### Spare Parts

## KWC AVA E Lever mixer - Basin

Modell-Linie: AVA E | 12.451.052.700FL  
Taps | Manual taps



**Cartridge S 25**

---

**538711**  
Z.536.032

---

**Service key Neoperl © casing M20x1,  
orange**

---

**638338**  
Z.638.338

---