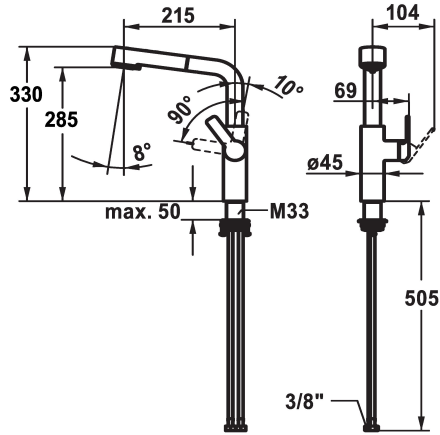


## KWC DOMO E Lever mixer - Kitchen

Modell-Linie: DOMO E | 10.701.003.700FL  
Taps | Manual taps



### KWC-No.

**124937**

stainless steel, A 215, flexible connection hoses

- \* Lever mixer
- \* Lever installation only possible on the right side
- Child safety: cold water flow in lever position towards the front
- \* gap between wall and centre of mounting hole min. 26 mm
- \* TouchProtect - anti-scald protection thanks to the "double skin" principle
- \* Intrinsicly safe against backflow
- \* Pull-out spray
  - SprayClean - easy to clean and actively prevents limescale buildup
  - up to 600 mm pull-out length
  - TripleClean - Normal, soft, and power stream modes
  - hose surface to fit faucet surface

- QuickConnect - Simple hose connection system
- \* Hose guide, swivelling 150°
- \* EasyLock - a pull-out spray that easily slides back into place
- \* OptimalSpace - ample space for washing or working
- \* KWC cartridge M 35 S
  - with ceramic discs
  - flow rate and temperature continuously variable
  - temperature limitation
- \* Flexible connection hoses 3/8"
- \* QuickInstallation - Fastening via threaded connection with locking screws
- \* Mounting hole size ø35 mm

### Technical Data

Flow rate needle spray	8 l/min (3 bar)
Flow rate normal spray	8 l/min (3 bar)
Connection	Flexible connection hoses
Spout	swivel
Handling	side lever
Kitchen_spray	Pull-out spray
Color code	stainless steel
Installation_type	Pillar installation
Faucet_typ	Lever mixer
Dimension Height	330
G_Acoustic group	I
Projection_A	A 215
Energy Label	B
Dimension Water outlet	285
material	stainless steel

