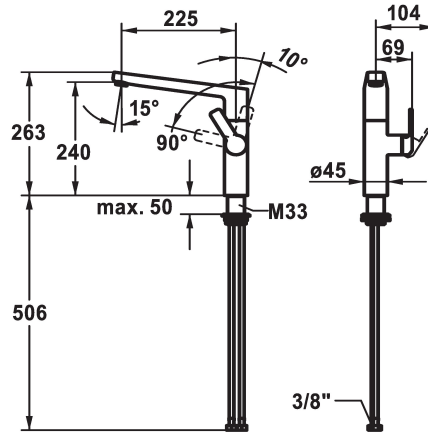


## KWC DOMO E Lever mixer - Kitchen

Modell-Linie: DOMO E | 10.701.013.700FL  
Taps | Manual taps



### KWC-No.

**124936**  
stainless steel, A 225, flexible connection hoses

- \* Lever mixer
- \* Lever installation only possible on the right side
- Child safety: cold water flow in lever position towards the front
- \* gap between wall and centre of mounting hole min. 26 mm
- \* SwivelStop - swivel spout 360°, limitable to 150°
- Neoperl® Cascade® SLC
- \* OptimalSpace - ample space for washing or working
- \* KWC cartridge M 35 S

- with ceramic discs
- flow rate and temperature continuously variable
- temperature limitation
- \* Flexible connection hoses 3/8"
- \* QuickInstallation - Fastening via threaded connection with locking screws
- \* Mounting hole size ø35 mm

### Technical Data

Flow rate	11 l/min (3 bar)
Connection	Flexible connection hoses
Spout	swivel
Handling	side lever
Color code	stainless steel
Installation type	Pillar installation
Faucet_typ	Lever mixer
Measure Height	263
Acoustic group	I
Projection A	A 225
Energy label	B
Dimension Water outlet	240
material	stainless steel

